

INTERNATIONAL STANDARD

NORME INTERNATIONALE

**Lead-acid traction batteries –
Part 2: Dimensions of cells and terminals and marking of polarity on cells**

**Batteries d'accumulateurs de traction au plomb –
Partie 2: Dimensions des éléments et des bornes et indication de la polarité sur
les éléments**



THIS PUBLICATION IS COPYRIGHT PROTECTED

Copyright © 2008 IEC, Geneva, Switzerland

All rights reserved. Unless otherwise specified, no part of this publication may be reproduced or utilized in any form or by any means, electronic or mechanical, including photocopying and microfilm, without permission in writing from either IEC or IEC's member National Committee in the country of the requester.

If you have any questions about IEC copyright or have an enquiry about obtaining additional rights to this publication, please contact the address below or your local IEC member National Committee for further information.

Droits de reproduction réservés. Sauf indication contraire, aucune partie de cette publication ne peut être reproduite ni utilisée sous quelque forme que ce soit et par aucun procédé, électronique ou mécanique, y compris la photocopie et les microfilms, sans l'accord écrit de la CEI ou du Comité national de la CEI du pays du demandeur.

Si vous avez des questions sur le copyright de la CEI ou si vous désirez obtenir des droits supplémentaires sur cette publication, utilisez les coordonnées ci-après ou contactez le Comité national de la CEI de votre pays de résidence.

IEC Central Office
3, rue de Varembe
CH-1211 Geneva 20
Switzerland
Email: inmail@iec.ch
Web: www.iec.ch

About the IEC

The International Electrotechnical Commission (IEC) is the leading global organization that prepares and publishes International Standards for all electrical, electronic and related technologies.

About IEC publications

The technical content of IEC publications is kept under constant review by the IEC. Please make sure that you have the latest edition, a corrigenda or an amendment might have been published.

- Catalogue of IEC publications: www.iec.ch/searchpub

The IEC on-line Catalogue enables you to search by a variety of criteria (reference number, text, technical committee,...). It also gives information on projects, withdrawn and replaced publications.

- IEC Just Published: www.iec.ch/online_news/justpub

Stay up to date on all new IEC publications. Just Published details twice a month all new publications released. Available on-line and also by email.

- Electropedia: www.electropedia.org

The world's leading online dictionary of electronic and electrical terms containing more than 20 000 terms and definitions in English and French, with equivalent terms in additional languages. Also known as the International Electrotechnical Vocabulary online.

- Customer Service Centre: www.iec.ch/webstore/custserv

If you wish to give us your feedback on this publication or need further assistance, please visit the Customer Service Centre FAQ or contact us:

Email: csc@iec.ch
Tel.: +41 22 919 02 11
Fax: +41 22 919 03 00

A propos de la CEI

La Commission Electrotechnique Internationale (CEI) est la première organisation mondiale qui élabore et publie des normes internationales pour tout ce qui a trait à l'électricité, à l'électronique et aux technologies apparentées.

A propos des publications CEI

Le contenu technique des publications de la CEI est constamment revu. Veuillez vous assurer que vous possédez l'édition la plus récente, un corrigendum ou amendement peut avoir été publié.

- Catalogue des publications de la CEI: www.iec.ch/searchpub/cur_fut-f.htm

Le Catalogue en-ligne de la CEI vous permet d'effectuer des recherches en utilisant différents critères (numéro de référence, texte, comité d'études,...). Il donne aussi des informations sur les projets et les publications retirées ou remplacées.

- Just Published CEI: www.iec.ch/online_news/justpub

Restez informé sur les nouvelles publications de la CEI. Just Published détaille deux fois par mois les nouvelles publications parues. Disponible en-ligne et aussi par email.

- Electropedia: www.electropedia.org

Le premier dictionnaire en ligne au monde de termes électroniques et électriques. Il contient plus de 20 000 termes et définitions en anglais et en français, ainsi que les termes équivalents dans les langues additionnelles. Egalement appelé Vocabulaire Electrotechnique International en ligne.

- Service Clients: www.iec.ch/webstore/custserv/custserv_entry-f.htm

Si vous désirez nous donner des commentaires sur cette publication ou si vous avez des questions, visitez le FAQ du Service clients ou contactez-nous:

Email: csc@iec.ch
Tél.: +41 22 919 02 11
Fax: +41 22 919 03 00

CONTENTS

FOREWORD.....	3
1 Scope and object.....	5
2 Normative references	5
3 Main dimensions of traction battery cells	5
3.1 Standard series	5
3.2 External dimensions	5
3.3 Cell range prevalent in Asia.....	6
3.4 Cell range prevalent in North America	6
4 Marking of polarity on traction battery cells and dimensions of corresponding symbols.....	8
4.1 General provisions for marking of cell polarity	8
4.2 Form of marking	8
4.3 Symbols used for marking and their dimensions	8
5 Basic dimensions of traction battery terminals	9
5.1 General provisions for dimensions of battery terminals.....	9
5.2 Conical traction battery terminals	9
5.3 Bolted traction battery terminals	9
 Bibliography.....	 11
 Figure 1 – Basic dimensions of conical traction battery terminals.....	 9
Figure 2 – Basic dimensions of traction battery cable ends for bolted terminals	10
 Table 1 – Main dimensions of traction battery cells	 6
Table 2 – Main dimensions of traction battery cells prevalent in Asia	7
Table 3 – Main dimensions of traction battery cells (vented) prevalent in North America	8

INTERNATIONAL ELECTROTECHNICAL COMMISSION

LEAD-ACID TRACTION BATTERIES –**Part 2: Dimensions of cells and terminals
and marking of polarity on cells**

FOREWORD

- 1) The International Electrotechnical Commission (IEC) is a worldwide organization for standardization comprising all national electrotechnical committees (IEC National Committees). The object of IEC is to promote international co-operation on all questions concerning standardization in the electrical and electronic fields. To this end and in addition to other activities, IEC publishes International Standards, Technical Specifications, Technical Reports, Publicly Available Specifications (PAS) and Guides (hereafter referred to as "IEC Publication(s)"). Their preparation is entrusted to technical committees; any IEC National Committee interested in the subject dealt with may participate in this preparatory work. International, governmental and non-governmental organizations liaising with the IEC also participate in this preparation. IEC collaborates closely with the International Organization for Standardization (ISO) in accordance with conditions determined by agreement between the two organizations.
- 2) The formal decisions or agreements of IEC on technical matters express, as nearly as possible, an international consensus of opinion on the relevant subjects since each technical committee has representation from all interested IEC National Committees.
- 3) IEC Publications have the form of recommendations for international use and are accepted by IEC National Committees in that sense. While all reasonable efforts are made to ensure that the technical content of IEC Publications is accurate, IEC cannot be held responsible for the way in which they are used or for any misinterpretation by any end user.
- 4) In order to promote international uniformity, IEC National Committees undertake to apply IEC Publications transparently to the maximum extent possible in their national and regional publications. Any divergence between any IEC Publication and the corresponding national or regional publication shall be clearly indicated in the latter.
- 5) IEC provides no marking procedure to indicate its approval and cannot be rendered responsible for any equipment declared to be in conformity with an IEC Publication.
- 6) All users should ensure that they have the latest edition of this publication.
- 7) No liability shall attach to IEC or its directors, employees, servants or agents including individual experts and members of its technical committees and IEC National Committees for any personal injury, property damage or other damage of any nature whatsoever, whether direct or indirect, or for costs (including legal fees) and expenses arising out of the publication, use of, or reliance upon, this IEC Publication or any other IEC Publications.
- 8) Attention is drawn to the Normative references cited in this publication. Use of the referenced publications is indispensable for the correct application of this publication.
- 9) Attention is drawn to the possibility that some of the elements of this IEC Publication may be the subject of patent rights. IEC shall not be held responsible for identifying any or all such patent rights.

International Standard IEC 60254-2 has been prepared by committee 21: Secondary cells and batteries

This fourth edition cancels and replaces the third edition published in 1997 and its Amendment 1 (2000). It constitutes a technical revision. The main modification concerns the introduction of new dimensions.

The text of this standard is based on the following documents:

FDIS	Report on voting
21/668/FDIS	21/670/RVD

Full information on the voting for the approval of this standard can be found in the report on voting indicated in the above table.

This publication has been drafted in accordance with the ISO/IEC Directives, Part 2.

A list of all parts of the IEC 60254 series, published under the general title *Lead-acid traction batteries*, can be found on the IEC website.

The committee has decided that the contents of this publication will remain unchanged until the maintenance result date indicated on the IEC web site under "<http://webstore.iec.ch>" in the data related to the specific publication. At this date, the publication will be

- reconfirmed,
- withdrawn,
- replaced by a revised edition, or
- amended.

LEAD-ACID TRACTION BATTERIES –

Part 2: Dimensions of cells and terminals and marking of polarity on cells

1 Scope and object

This part of IEC 60254 is applicable to lead-acid traction batteries used as power sources for electric propulsion.

The object of the present standard is to specify:

- the maximum external (overall) dimensions of traction battery cells, that is, the width, the height and the length;
- the form of the marking of traction battery cell polarity and dimensions of corresponding symbols;
- the basic dimensions of some commonly used traction battery terminals designed to connect output cables to the battery;
- the dimensions of cells commonly used in Asia and North America.

2 Normative references

The following referenced documents are indispensable for the application of this document. For dated references, only the edition cited applies. For undated references, the latest edition of the referenced document (including any amendments) applies.

IEC 60417, *Graphical symbols for use on equipment*

3 Main dimensions of traction battery cells

3.1 Standard series

Traction battery cells in accordance with this standard shall belong to one of the following two dimensional series determined by the width:

E (narrow) L (wide)

3.2 External dimensions

3.2.1 The external (overall) dimensions of traction battery cells are represented by the following symbols:

- b* width (dimension parallel to the surface of the plates);
- h* height (including lid, vent plugs and terminals, but without output cable);
- l* length (dimension perpendicular to the surface of the plates).

3.2.2 The dimensions of traction battery cells in accordance with this standard shall correspond to those of Table 1.

Table 1 – Main dimensions of traction battery cells

Series	Width <i>b</i> max. mm	Type	Height <i>h</i> max. mm	Length series <i>l</i> max. mm
E	160	A	300	47, 64, 79
		B	370	95, 111
		C	440	127, 145
		D	510	160, 176
		E	555	192, 208
		G	750	
L	198	B	370	47, 65
		C	440	83, 101
		D	510	119, 137
		E	555	155, 174
		F	605	192
		G	750	

3.3 Cell range prevalent in Asia

For information, the dimensions of traction battery cells in this range are given in Table 2.

NOTE For specific applications see the appropriate Japanese standard.

3.4 Cell range prevalent in North America

For information, the dimensions of traction battery cells in this range are given in Table 3. Width and length only are specified.

NOTE For specific applications see the appropriate USA standard.

Table 2 – Main dimensions of traction battery cells prevalent in Asia

Type	Max. external dimensions mm			Standard dimensions mm													
	Total height	Box height	Width	Length													
B	360	323	160		90	94	109	128	144	161					206		
C	390	353	160		90	94	109	128	144	161			190	206			244
D	435	398	160	60	90	94	109	128	144	161	177	190					244
DH	450	413	160						144	161	177			206			
F	530	493	160	60	75	90	109	128	144		177	190				225	
I	560	523	160	60	75	90	109	128	144	161			190	206		225	244
H	740	703	160	60	75	94	109	128	144								

Table 3 – Main dimensions of traction battery cells (vented) prevalent in North America

Plates	Cell footprint			
	Narrow		Wide	
	in	mm	in	mm
5	2,00 × 6,19	50,8 × 157,2		
7	2,75 × 6,19	69,9 × 157,2		
9	3,50 × 6,19	88,9 × 157,2	3,50 × 8,63	88,9 × 219,2
11	4,25 × 6,19	108,0 × 157,2	4,25 × 8,63	108,0 × 219,2
13	5,00 × 6,19	127,0 × 157,2	5,00 × 8,63	127,0 × 219,2
15	5,75 × 6,25	146,1 × 158,8	5,75 × 8,63	146,1 × 219,2
17	6,50 × 6,25	165,1 × 158,8	6,50 × 8,63	165,1 × 219,2
19	7,25 × 6,25	184,2 × 158,8	7,25 × 8,63	184,2 × 219,2
21	8,00 × 6,25	203,2 × 158,8	8,00 × 8,63	203,2 × 219,2
23	8,75 × 6,25	222,3 × 158,8		
25	9,50 × 6,25	241,3 × 158,8		
27	10,25 × 6,25	260,4 × 158,8		
29	11,00 × 6,25	279,4 × 158,8		
31	11,75 × 6,25	298,5 × 158,8		
33	12,50 × 6,25	317,5 × 158,8		

4 Marking of polarity on traction battery cells and dimensions of corresponding symbols

4.1 General provisions for marking of cell polarity

To comply with this standard, traction battery cells shall carry the marking of polarity, at least of the positive terminal.

4.2 Form of marking

The marking shall take the form of the symbol +, indented or in relief, on the lid adjacent to the positive terminal.

If the negative terminal is also marked, the marking shall take the form of the symbol –, indented or in relief, on the lid adjacent to the negative terminal.

4.3 Symbols used for marking and their dimensions

Symbols used for the marking of the polarity shall be in accordance with IEC 60417.

The marking of the positive terminal shall be in accordance with the symbol IEC 60417-5005 (2002-10): plus, positive polarity.

The eventual marking of the negative terminal shall be in accordance with the symbol IEC 60417-5006 (2002-10): minus, negative polarity.

The actual value of dimension "a" of these symbols shall be equal to or greater than 5 mm.

NOTE A dimension "a" of 5 mm corresponds to a total length of each arm of the symbol equal to 6 mm.

5 Basic dimensions of traction battery terminals

5.1 General provisions for dimensions of battery terminals

This standard gives only basic dimensions of standardized types of battery end terminals necessary to ensure interchangeability. The use of other forms of terminal is not precluded.

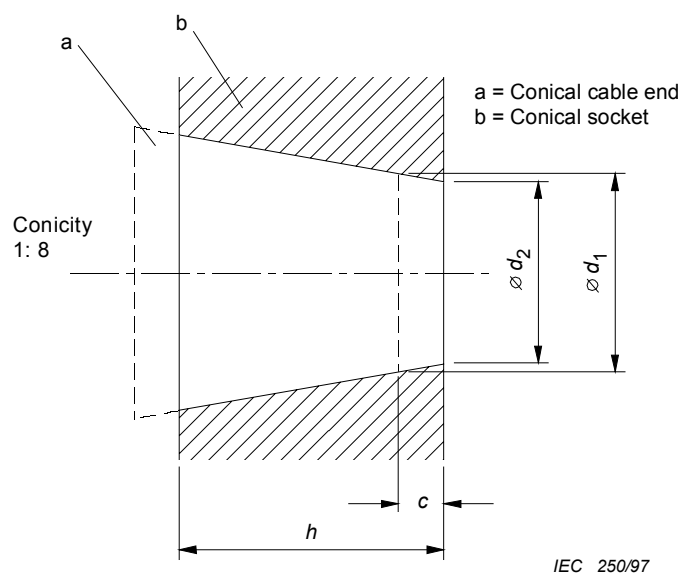
5.2 Conical traction battery terminals

The traction battery terminals shall be chosen from the three types listed in Figure 1, based upon the cross-sectional area of cable used.

5.3 Bolted traction battery terminals

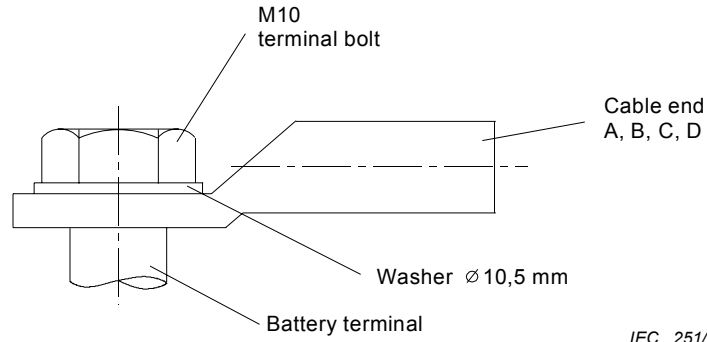
The traction battery cable ends for bolted terminals shall be chosen from the four types listed in Figure 2, based upon the cross-sectional area of cable used.

NOTE For smaller size connections, reference should be made to the dimensions of terminals shown in IEC 60095-2.



Type of terminal	Maximum cable area mm ²	Dimensions mm			
		d_1	h	d_2	c_{max}
A	50	12,5	25,0	13,0	4,0
B	70	14,0	25,0	14,5	4,0
C	95	15,0	36,0	16,0	8,0

Figure 1 – Basic dimensions of conical traction battery terminals



Type of cable end	Terminal bolt size	Bolt hole diameter	Maximum cable area
		mm	mm ²
A	M 10	11	35
B	M 10	11	50
C	M 10	11	70
D	M 10	11	95

NOTE The terminals above cover the majority of Industrial applications. However, as lighter more compact applications develop there is a potential need for smaller terminals and these are not precluded. This situation will be monitored and may lead to future modifications.

Figure 2 – Basic dimensions of traction battery cable ends for bolted terminals

Bibliography

IEC 60095-2:1984, *Lead-acid starter batteries – Part 2: Dimensions of batteries and dimensions and marking of terminals*

SOMMAIRE

AVANT-PROPOS.....	13
1 Domaine d'application et objet.....	15
2 Références normatives.....	15
3 Dimensions principales des éléments des batteries de traction.....	15
3.1 Séries normalisées.....	15
3.2 Dimensions extérieures.....	15
3.3 Gamme d'élément prévalant en Asie.....	16
3.4 Gamme d'élément prévalant en Amérique du Nord.....	16
4 Indication de la polarité sur les éléments des batteries de traction et dimensions des symboles correspondants.....	18
4.1 Généralités sur le marquage de la polarité des éléments.....	18
4.2 Réalisation du marquage.....	18
4.3 Symboles utilisés et leurs dimensions.....	18
5 Dimensions de base des bornes des batteries de traction.....	19
5.1 Généralités sur les dimensions des bornes des batteries.....	19
5.2 Bornes coniques des batteries de traction.....	19
5.3 Bornes à vis des batteries de traction.....	19
Bibliographie.....	21
Figure 1 – Dimensions de base des bornes coniques des batteries de traction.....	19
Figure 2 – Dimensions de base des embouts de câbles pour bornes à vis de batteries de traction.....	20
Tableau 1 – Dimensions principales des éléments des batteries de traction.....	16
Tableau 2 – Dimensions principales des éléments des batteries de traction prévalant en Asie.....	17
Tableau 3 – Dimensions principales des éléments de batteries de traction (ouverts) prévalant en Amérique du Nord.....	18

COMMISSION ÉLECTROTECHNIQUE INTERNATIONALE

BATTERIES D'ACCUMULATEURS DE TRACTION AU PLOMB –**Partie 2: Dimensions des éléments et des bornes
et indication de la polarité sur les éléments**

AVANT-PROPOS

- 1) La Commission Electrotechnique Internationale (CEI) est une organisation mondiale de normalisation composée de l'ensemble des comités électrotechniques nationaux (Comités nationaux de la CEI). La CEI a pour objet de favoriser la coopération internationale pour toutes les questions de normalisation dans les domaines de l'électricité et de l'électronique. A cet effet, la CEI – entre autres activités – publie des Normes internationales, des Spécifications techniques, des Rapports techniques, des Spécifications accessibles au public (PAS) et des Guides (ci-après dénommés "Publication(s) de la CEI"). Leur élaboration est confiée à des comités d'études, aux travaux desquels tout Comité national intéressé par le sujet traité peut participer. Les organisations internationales, gouvernementales et non gouvernementales, en liaison avec la CEI, participent également aux travaux. La CEI collabore étroitement avec l'Organisation Internationale de Normalisation (ISO), selon des conditions fixées par accord entre les deux organisations.
- 2) Les décisions ou accords officiels de la CEI concernant les questions techniques représentent, dans la mesure du possible, un accord international sur les sujets étudiés, étant donné que les Comités nationaux de la CEI intéressés sont représentés dans chaque comité d'études.
- 3) Les Publications de la CEI se présentent sous la forme de recommandations internationales et sont agréées comme telles par les Comités nationaux de la CEI. Tous les efforts raisonnables sont entrepris afin que la CEI s'assure de l'exactitude du contenu technique de ses publications; la CEI ne peut pas être tenue responsable de l'éventuelle mauvaise utilisation ou interprétation qui en est faite par un quelconque utilisateur final.
- 4) Dans le but d'encourager l'uniformité internationale, les Comités nationaux de la CEI s'engagent, dans toute la mesure possible, à appliquer de façon transparente les Publications de la CEI dans leurs publications nationales et régionales. Toutes divergences entre toutes Publications de la CEI et toutes publications nationales ou régionales correspondantes doivent être indiquées en termes clairs dans ces dernières.
- 5) La CEI n'a prévu aucune procédure de marquage valant indication d'approbation et n'engage pas sa responsabilité pour les équipements déclarés conformes à une de ses Publications.
- 6) Tous les utilisateurs doivent s'assurer qu'ils sont en possession de la dernière édition de cette publication.
- 7) Aucune responsabilité ne doit être imputée à la CEI, à ses administrateurs, employés, auxiliaires ou mandataires, y compris ses experts particuliers et les membres de ses comités d'études et des Comités nationaux de la CEI, pour tout préjudice causé en cas de dommages corporels et matériels, ou de tout autre dommage de quelque nature que ce soit, directe ou indirecte, ou pour supporter les coûts (y compris les frais de justice) et les dépenses découlant de la publication ou de l'utilisation de cette Publication de la CEI ou de toute autre Publication de la CEI, ou au crédit qui lui est accordé.
- 8) L'attention est attirée sur les références normatives citées dans cette publication. L'utilisation de publications référencées est obligatoire pour une application correcte de la présente publication.
- 9) L'attention est attirée sur le fait que certains des éléments de la présente Publication de la CEI peuvent faire l'objet de droits de propriété intellectuelle ou de droits analogues. La CEI ne saurait être tenue pour responsable de ne pas avoir identifié de tels droits de propriété et de ne pas avoir signalé leur existence.

La Norme internationale CEI 60254-2 a été établie par le comité d'études 21 de la CEI: Accumulateurs.

Cette quatrième édition annule et remplace la troisième édition parue en 1997 et son Amendement 1 (2000). Elle constitue une révision technique. La principale modification concerne l'introduction de nouvelles dimensions.

Le texte de cette norme est issu des documents suivants:

FDIS	Rapport de vote
21/668/FDIS	21/670/RVD

Le rapport de vote indiqué dans le tableau ci-dessus donne toute information sur le vote ayant abouti à l'approbation de cette norme.

Cette publication a été rédigée selon les Directives ISO/CEI, Partie 2.

Une liste de toutes les parties de la série CEI 60254, présentées sous le titre général *Batteries d'accumulateurs de traction au plomb*, peut être consultée sur le site web de la CEI.

Le comité a décidé que le contenu de cette publication ne sera pas modifié avant la date de maintenance indiquée sur le site web de la CEI sous "<http://webstore.iec.ch>" dans les données relatives à la publication recherchée. A cette date, la publication sera

- reconduite,
- supprimée,
- remplacée par une édition révisée, ou
- amendée.

www.iec.ch

BATTERIES D'ACCUMULATEURS DE TRACTION AU PLOMB –

Partie 2: Dimensions des éléments et des bornes et indication de la polarité sur les éléments

1 Domaine d'application et objet

La présente partie de la CEI 60254 concerne les batteries d'accumulateurs de traction au plomb utilisées comme source d'énergie pour la propulsion électrique.

La présente norme a pour objet de spécifier

- l'encombrement maximal des éléments des batteries de traction, c'est-à-dire la hauteur, la largeur et la longueur;
- la réalisation du marquage de la polarité sur les éléments des batteries de traction et les dimensions des symboles correspondants;
- les dimensions de base des bornes des batteries de traction d'usage courant prévues pour le raccordement des câbles de sortie à la batterie.
- les dimensions des éléments communément utilisés en Asie et en Amérique de Nord.

2 Références normatives

Les documents référencés ci-après sont indispensables pour l'application du présent document. Pour des références datées, seules l'édition citée s'applique. Pour les références non datées, la dernière édition du document auquel il est fait référence (y compris les amendements) s'applique.

CEI 60417, *Symboles graphiques utilisables sur le matériel*

3 Dimensions principales des éléments des batteries de traction

3.1 Séries normalisées

Les éléments des batteries de traction conformes à la présente norme doivent faire partie d'une des deux séries dimensionnelles présentées ci-dessous et définies par la largeur:

E (étroite) L (large)

3.2 Dimensions extérieures

3.2.1 L'encombrement des éléments de batteries de traction est représenté au moyen de symboles comme indiqué ci-dessous:

b largeur (dimension parallèle à la surface des plaques);

h hauteur (y compris le couvercle, les bouchons et les bornes, mais sans les câbles de sortie);

l longueur (dimension perpendiculaire à la surface des plaques).

3.2.2 Les dimensions des éléments des batteries de traction conformément à la présente norme doivent correspondre à celles indiquées dans le Tableau 1.

Tableau 1 – Dimensions principales des éléments des batteries de traction

Série	Largeur <i>b</i> max. mm	Type	Hauteur <i>h</i> max. mm	Séries de longueur <i>l</i> max. mm
E	160	A	300	47, 64, 79
		B	370	95, 111
		C	440	127, 145
		D	510	160, 176
		E	555	192, 208
		G	750	
L	198	B	370	47, 65
		C	440	83, 101
		D	510	119, 137
		E	555	155, 174
		F	605	192
		G	750	

3.3 Gamme d'élément prévalant en Asie

Pour information, les dimensions des éléments des batteries de traction dans cette gamme sont données dans le Tableau 2.

NOTE Pour les applications spécifiques, voir la norme japonaise appropriée.

3.4 Gamme d'élément prévalant en Amérique du Nord

Pour information, les dimensions des éléments des batteries de traction dans cette gamme sont données dans le Tableau 3. Seules la longueur et la largeur sont spécifiées.

NOTE Pour les applications spécifiques, voir la norme nord-américaine appropriée.

**Tableau 2 – Dimensions principales des éléments des batteries
de traction prévalant en Asie**

Type	Dimensions extérieures max. mm		Dimensions normalisées mm													
	Hauteur totale	Hauteur de boîtier	Largeur	Longueur												
				90	94	109	128	144	161	177	190	206	225	244		
B	360	323	160		90	94	109	128	144	161				206		
C	390	353	160		90	94	109	128	144	161		190	206			244
D	435	398	160	60	90	94	109	128	144	161	177	190				244
DH	450	413	160						144	161	177		206			
F	530	493	160	60	75	90	109	128	144		177	190			225	
I	560	523	160	60	75	90	109	128	144	161		190	206		225	244
H	740	703	160	60	75	90	94	109	128	144						

Tableau 3 – Dimensions principales des éléments de batteries de traction (ouverts) prévalant en Amérique du Nord

Plaques	Base de l'élément			
	Série étroite		Série large	
	in	mm	in	mm
5	2,00 × 6,19	50,8 × 157,2		
7	2,75 × 6,19	69,9 × 157,2		
9	3,50 × 6,19	88,9 × 157,2	3,50 × 8,63	88,9 × 219,2
11	4,25 × 6,19	108,0 × 157,2	4,25 × 8,63	108,0 × 219,2
13	5,00 × 6,19	127,0 × 157,2	5,00 × 8,63	127,0 × 219,2
15	5,75 × 6,25	146,1 × 158,8	5,75 × 8,63	146,1 × 219,2
17	6,50 × 6,25	165,1 × 158,8	6,50 × 8,63	165,1 × 219,2
19	7,25 × 6,25	184,2 × 158,8	7,25 × 8,63	184,2 × 219,2
21	8,00 × 6,25	203,2 × 158,8	8,00 × 8,63	203,2 × 219,2
23	8,75 × 6,25	222,3 × 158,8		
25	9,50 × 6,25	241,3 × 158,8		
27	10,25 × 6,25	260,4 × 158,8		
29	11,00 × 6,25	279,4 × 158,8		
31	11,75 × 6,25	298,5 × 158,8		
33	12,50 × 6,25	317,5 × 158,8		

4 Indication de la polarité sur les éléments des batteries de traction et dimensions des symboles correspondants

4.1 Généralités sur le marquage de la polarité des éléments

Pour satisfaire à la présente norme, les éléments des batteries de traction doivent porter, au moins sur la borne positive, le marquage de la polarité.

4.2 Réalisation du marquage

Le marquage doit se faire par le symbole +, réalisé en creux ou en relief, sur le couvercle à proximité de la borne positive.

Si la borne négative est également repérée, le marquage doit se faire par le symbole –, réalisé également en creux ou en relief sur le couvercle à proximité de la borne négative.

4.3 Symboles utilisés et leurs dimensions

Les symboles utilisés pour le marquage de la polarité doivent être conformes à la CEI 60417.

Le marquage de la borne positive doit correspondre au symbole CEI 60417-5005 (2002-10): plus, polarité positive.

Le marquage éventuel de la borne négative doit correspondre au symbole CEI 60417-5006 (2002-10): Moins, polarité négative.

La valeur réelle de la cote «a» de ces symboles doit être égale ou supérieure à 5 mm.

NOTE La cote «a» égale à 5 mm correspond à une longueur totale de chaque branche du symbole égale à 6 mm.

5 Dimensions de base des bornes des batteries de traction

5.1 Généralités sur les dimensions des bornes des batteries

La présente norme ne fournit que les dimensions de base des types normalisés des bornes de sortie des batteries indispensables pour assurer l'interchangeabilité. L'utilisation d'autres formes de bornes n'est pas interdite.

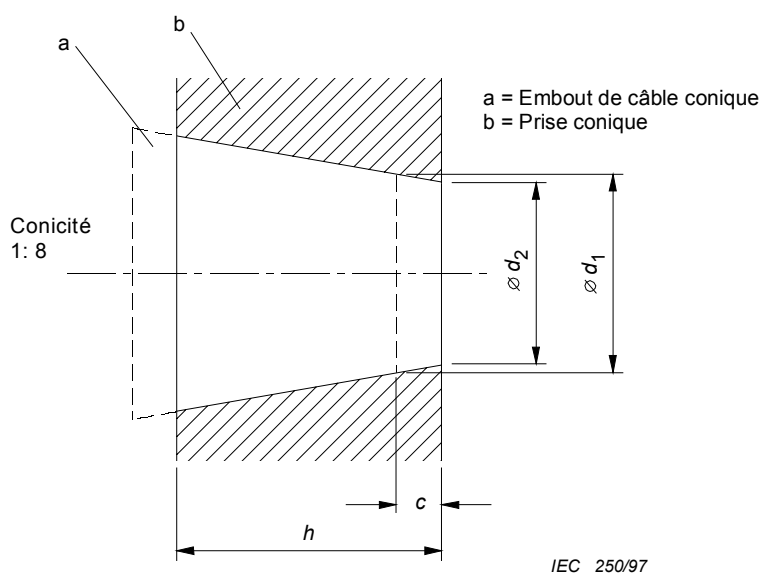
5.2 Bornes coniques des batteries de traction

Les bornes des batteries de traction doivent être choisies parmi les trois types de la Figure 1, selon la section du câble utilisé.

5.3 Bornes à vis des batteries de traction

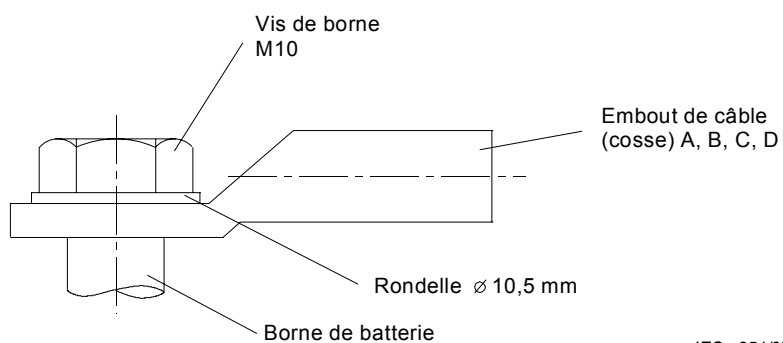
Les embouts de câble pour bornes à vis de batteries de traction doivent être choisis parmi les quatre types de la Figure 2 selon la section du câble utilisé.

NOTE Pour les connexions de plus petites dimensions, il convient de se référer aux dimensions des bornes présentées dans la CEI 60095-2.



Type de borne	Section maximale du câble mm ²	Dimensions mm			
		d_1	h	d_2	c_{\max}
A	50	12,5	25,0	13,0	4,0
B	70	14,0	25,0	14,5	4,0
C	95	15,0	36,0	16,0	8,0

Figure 1 – Dimensions de base des bornes coniques des batteries de traction



IEC 251/97

Type d'embout	Dimension de la vis de borne	Diamètre du trou mm	Section maximale du câble mm ²
A	M 10	11	35
B	M 10	11	50
C	M 10	11	70
D	M 10	11	95

NOTE Les bornes ci-dessus couvrent la majorité des applications industrielles. Cependant, comme des applications compactes plus légères sont en développement, il existe un besoin potentiel pour de plus petites bornes et celles-ci ne sont pas interdites. Cette situation sera surveillée et peut mener à des modifications futures.

Figure 2 – Dimensions de base des embouts de câbles pour bornes à vis de batteries de traction

Bibliographie

CEI 60095-2:1984, *Batteries d'accumulateurs de démarrage au plomb – Deuxième partie: Dimensions des batteries et dimensions et marquage des bornes*

.....

INTERNATIONAL
ELECTROTECHNICAL
COMMISSION

3, rue de Varembé
P.O. Box 131
CH-1211 Geneva 20
Switzerland

Tel: + 41 22 919 02 11
Fax: + 41 22 919 03 00
info@iec.ch
www.iec.ch