

# INTERNATIONAL STANDARD

# NORME INTERNATIONALE

**Low-voltage switchgear and controlgear assemblies –  
Part 2: Power switchgear and controlgear assemblies**

**Ensembles d'appareillage à basse tension –  
Partie 2: Ensembles d'appareillage de puissance**



## THIS PUBLICATION IS COPYRIGHT PROTECTED

Copyright © 2009 IEC, Geneva, Switzerland

All rights reserved. Unless otherwise specified, no part of this publication may be reproduced or utilized in any form or by any means, electronic or mechanical, including photocopying and microfilm, without permission in writing from either IEC or IEC's member National Committee in the country of the requester.

If you have any questions about IEC copyright or have an enquiry about obtaining additional rights to this publication, please contact the address below or your local IEC member National Committee for further information.

Droits de reproduction réservés. Sauf indication contraire, aucune partie de cette publication ne peut être reproduite ni utilisée sous quelque forme que ce soit et par aucun procédé, électronique ou mécanique, y compris la photocopie et les microfilms, sans l'accord écrit de la CEI ou du Comité national de la CEI du pays du demandeur.

Si vous avez des questions sur le copyright de la CEI ou si vous désirez obtenir des droits supplémentaires sur cette publication, utilisez les coordonnées ci-après ou contactez le Comité national de la CEI de votre pays de résidence.

IEC Central Office  
3, rue de Varembe  
CH-1211 Geneva 20  
Switzerland  
Email: [inmail@iec.ch](mailto:inmail@iec.ch)  
Web: [www.iec.ch](http://www.iec.ch)

### About the IEC

The International Electrotechnical Commission (IEC) is the leading global organization that prepares and publishes International Standards for all electrical, electronic and related technologies.

### About IEC publications

The technical content of IEC publications is kept under constant review by the IEC. Please make sure that you have the latest edition, a corrigenda or an amendment might have been published.

- Catalogue of IEC publications: [www.iec.ch/searchpub](http://www.iec.ch/searchpub)

The IEC on-line Catalogue enables you to search by a variety of criteria (reference number, text, technical committee,...). It also gives information on projects, withdrawn and replaced publications.

- IEC Just Published: [www.iec.ch/online\\_news/justpub](http://www.iec.ch/online_news/justpub)

Stay up to date on all new IEC publications. Just Published details twice a month all new publications released. Available on-line and also by email.

- Electropedia: [www.electropedia.org](http://www.electropedia.org)

The world's leading online dictionary of electronic and electrical terms containing more than 20 000 terms and definitions in English and French, with equivalent terms in additional languages. Also known as the International Electrotechnical Vocabulary online.

- Customer Service Centre: [www.iec.ch/webstore/custserv](http://www.iec.ch/webstore/custserv)

If you wish to give us your feedback on this publication or need further assistance, please visit the Customer Service Centre FAQ or contact us:

Email: [csc@iec.ch](mailto:csc@iec.ch)  
Tel.: +41 22 919 02 11  
Fax: +41 22 919 03 00

### A propos de la CEI

La Commission Electrotechnique Internationale (CEI) est la première organisation mondiale qui élabore et publie des normes internationales pour tout ce qui a trait à l'électricité, à l'électronique et aux technologies apparentées.

### A propos des publications CEI

Le contenu technique des publications de la CEI est constamment revu. Veuillez vous assurer que vous possédez l'édition la plus récente, un corrigendum ou amendement peut avoir été publié.

- Catalogue des publications de la CEI: [www.iec.ch/searchpub/cur\\_fut-f.htm](http://www.iec.ch/searchpub/cur_fut-f.htm)

Le Catalogue en-ligne de la CEI vous permet d'effectuer des recherches en utilisant différents critères (numéro de référence, texte, comité d'études,...). Il donne aussi des informations sur les projets et les publications retirées ou remplacées.

- Just Published CEI: [www.iec.ch/online\\_news/justpub](http://www.iec.ch/online_news/justpub)

Restez informé sur les nouvelles publications de la CEI. Just Published détaille deux fois par mois les nouvelles publications parues. Disponible en-ligne et aussi par email.

- Electropedia: [www.electropedia.org](http://www.electropedia.org)

Le premier dictionnaire en ligne au monde de termes électroniques et électriques. Il contient plus de 20 000 termes et définitions en anglais et en français, ainsi que les termes équivalents dans les langues additionnelles. Egalement appelé Vocabulaire Electrotechnique International en ligne.

- Service Clients: [www.iec.ch/webstore/custserv/custserv\\_entry-f.htm](http://www.iec.ch/webstore/custserv/custserv_entry-f.htm)

Si vous désirez nous donner des commentaires sur cette publication ou si vous avez des questions, visitez le FAQ du Service clients ou contactez-nous:

Email: [csc@iec.ch](mailto:csc@iec.ch)  
Tél.: +41 22 919 02 11  
Fax: +41 22 919 03 00



IEC 61439-2

Edition 1.0 2009-01

# INTERNATIONAL STANDARD

# NORME INTERNATIONALE

---

**Low-voltage switchgear and controlgear assemblies –  
Part 2: Power switchgear and controlgear assemblies**

**Ensembles d'appareillage à basse tension –  
Partie 2: Ensembles d'appareillage de puissance**

INTERNATIONAL  
ELECTROTECHNICAL  
COMMISSION

COMMISSION  
ELECTROTECHNIQUE  
INTERNATIONALE

PRICE CODE  
CODE PRIX

S

---

ICS 29.130.30

ISBN 2-8318-1017-9

## CONTENTS

FOREWORD.....	3
1 Scope.....	5
2 Normative references .....	5
3 Terms and definitions .....	5
3.1 General terms .....	5
3.2 Constructional units of PSC-ASSEMBLIES .....	6
4 Symbols and abbreviations.....	7
5 Interface characteristics .....	7
6 Information .....	7
6.1 PSC-ASSEMBLY designation marking .....	7
7 Service conditions .....	8
8 Constructional requirements.....	8
9 Performance requirements .....	11
10 Design verification.....	11
11 Routine verifications .....	11
Annexes .....	15
Annex AA (informative) Forms of internal separations (see 8.101) .....	16
Annex BB (informative) Items subject to agreement between the ASSEMBLY manufacturer and the user .....	19
Bibliography.....	22
Figure AA.1 – Symbols used in Figures AA.2 and AA.3.....	16
Figure AA.2 – Forms 1 and 2 .....	17
Figure AA.3 – Forms 3 and 4 .....	18
Table 101 – Values of assumed loading.....	12
Table 102 – Test voltages across the open contacts of equipment suitable for isolation.....	12
Table 103 – Electrical conditions for the different positions of withdrawable parts.....	13
Table 104 – Forms of internal separation .....	14

## INTERNATIONAL ELECTROTECHNICAL COMMISSION

---

**LOW-VOLTAGE SWITCHGEAR AND  
CONTROLGEAR ASSEMBLIES –**
**Part 2: Power switchgear and controlgear assemblies**

## FOREWORD

- 1) The International Electrotechnical Commission (IEC) is a worldwide organization for standardization comprising all national electrotechnical committees (IEC National Committees). The object of IEC is to promote international co-operation on all questions concerning standardization in the electrical and electronic fields. To this end and in addition to other activities, IEC publishes International Standards, Technical Specifications, Technical Reports, Publicly Available Specifications (PAS) and Guides (hereafter referred to as "IEC Publication(s)"). Their preparation is entrusted to technical committees; any IEC National Committee interested in the subject dealt with may participate in this preparatory work. International, governmental and non-governmental organizations liaising with the IEC also participate in this preparation. IEC collaborates closely with the International Organization for Standardization (ISO) in accordance with conditions determined by agreement between the two organizations.
- 2) The formal decisions or agreements of IEC on technical matters express, as nearly as possible, an international consensus of opinion on the relevant subjects since each technical committee has representation from all interested IEC National Committees.
- 3) IEC Publications have the form of recommendations for international use and are accepted by IEC National Committees in that sense. While all reasonable efforts are made to ensure that the technical content of IEC Publications is accurate, IEC cannot be held responsible for the way in which they are used or for any misinterpretation by any end user.
- 4) In order to promote international uniformity, IEC National Committees undertake to apply IEC Publications transparently to the maximum extent possible in their national and regional publications. Any divergence between any IEC Publication and the corresponding national or regional publication shall be clearly indicated in the latter.
- 5) IEC provides no marking procedure to indicate its approval and cannot be rendered responsible for any equipment declared to be in conformity with an IEC Publication.
- 6) All users should ensure that they have the latest edition of this publication.
- 7) No liability shall attach to IEC or its directors, employees, servants or agents including individual experts and members of its technical committees and IEC National Committees for any personal injury, property damage or other damage of any nature whatsoever, whether direct or indirect, or for costs (including legal fees) and expenses arising out of the publication, use of, or reliance upon, this IEC Publication or any other IEC Publications.
- 8) Attention is drawn to the Normative references cited in this publication. Use of the referenced publications is indispensable for the correct application of this publication.
- 9) Attention is drawn to the possibility that some of the elements of this IEC Publication may be the subject of patent rights. IEC shall not be held responsible for identifying any or all such patent rights.

International Standard IEC 61439-2 has been prepared by subcommittee 17D: Low-voltage switchgear and controlgear assemblies, of IEC technical committee 17: Switchgear and controlgear.

The text of this standard is based on the following documents:

CDV	Report on voting
17D/358/CDV	17D/363/RVC

Full information on the voting for the approval of this standard can be found in the report on voting indicated in the above table.

This publication has been drafted in accordance with the ISO/IEC Directives, Part 2.

This standard is to be read in conjunction with IEC 61439-1. The provisions of the general rules dealt with in IEC 61439-1 (hereinafter referred to as Part 1) are only applicable to this standard insofar as they are specifically cited. When this standard states “addition”, “modification” or “replacement”, the relevant text in Part 1 is to be adapted accordingly..

Subclauses that are numbered with a 101 (102, 103, etc.) suffix are additional to the same subclause in Part 1.

Tables and figures in this Part 2 that are new are numbered starting with 101.

New annexes in this Part 2 are lettered AA, BB, etc.

In this standard, terms written in small capitals are defined in Clause 3.

A list of all parts of the IEC 61439 series, under the general title *Low-voltage switchgear and controlgear assemblies* can be found on the IEC website.

The committee has decided that the contents of this publication will remain unchanged until the maintenance result date indicated on the IEC web site under "<http://webstore.iec.ch>" in the data related to the specific publication. At this date, the publication will be

- reconfirmed;
- withdrawn;
- replaced by a revised edition, or
- amended.

# LOW-VOLTAGE SWITCHGEAR AND CONTROLGEAR ASSEMBLIES –

## Part 2: Power switchgear and controlgear assemblies

### 1 Scope

This clause of Part 1 is applicable except as follows.

*Addition:*

This standard defines the specific requirements of power switchgear and controlgear assemblies (PSC-ASSEMBLIES), the rated voltage of which does not exceed 1000 V a.c. or 1500 V d.c.

Throughout this part, the abbreviation PSC-ASSEMBLY is used for a power switchgear and controlgear ASSEMBLY (see 3.1.101).

This standard does not apply to the specific types of ASSEMBLIES covered by other parts of IEC 61439.

### 2 Normative references

This clause of Part 1 is applicable except as follows.

*Addition:*

IEC 60947-3:1999, *Low-voltage switchgear and controlgear – Part 3: Switchgear, disconnectors, switch-disconnectors and fuse-combination units*

IEC 61140:2001, *Protection against electric shock – Common aspects for installation and equipment – Basic safety publication*

IEC 61439-1, *Low-voltage switchgear and controlgear assemblies – Part 1: General rules*

### 3 Terms and definitions

This clause of Part 1 is applicable except as follows.

#### 3.1 General terms

*Additional definitions:*

##### 3.1.101

##### **power switchgear and controlgear assembly (PSC-ASSEMBLY)**

low-voltage switchgear and controlgear ASSEMBLY used to distribute and control energy for all types of loads, intended for industrial, commercial and similar applications where operation by ordinary persons is not intended

### **3.1.102**

#### **test situation**

condition of a PSC-ASSEMBLY or part of it in which the relevant main circuits are open on its supply side but not necessarily isolated whilst the associated auxiliary circuits are connected, allowing operation tests of the incorporated devices

### **3.1.103**

#### **form of internal separation**

classification of physical separation within a PSC-ASSEMBLY.

## **3.2 Constructional units of ASSEMBLIES**

*Replacement of the title:*

## **3.2 Constructional units of PSC-ASSEMBLIES**

*Additional definitions:*

### **3.2.101**

#### **withdrawable part**

removable part intended to be moved from the connected position to the isolated position and to a test position, if any, whilst remaining mechanically attached to the PSC-ASSEMBLY

### **3.2.102**

#### **test position**

position of a withdrawable part in which the relevant main circuits are open on its supply side but not necessarily isolated and in which the auxiliary circuits are connected allowing operation tests of the incorporated devices, the withdrawable part remaining mechanically attached to the PSC-ASSEMBLY

NOTE The opening may also be achieved without any mechanical movement of the withdrawable part by operation of a suitable device.

### **3.2.103**

#### **isolated position**

position of a withdrawable part in which an isolating distance is established in main and auxiliary circuits on its supply side, the withdrawable part remaining mechanically attached to the PSC-ASSEMBLY

NOTE The isolating distance may also be established without any mechanical movement of the withdrawable part by operation of a suitable device.

### **3.2.104**

#### **isolating distance (of a withdrawable part)**

clearance between open contacts meeting the safety requirements specified for disconnectors

[IEV 441-17-35: 1984. modified]

*Addition:*

## **3.101 Electrical connections of functional units**

### **3.101.1**

#### **disconnectable connection**

connection which is connected or disconnected by manual operation of the connecting means without a tool



**3.101.2****withdrawable connection**

connection which is connected or disconnected by bringing the functional unit into the connected or isolated position

**3.102 Gangways within PSC-ASSEMBLIES****3.102.1****operating gangway within a PSC-ASSEMBLIES**

space to be used by the operator for the proper operation and supervision of the PSC-ASSEMBLY

**3.102.2****maintenance gangway within a PSC-ASSEMBLIES**

space which is accessible to authorized personnel only and primarily intended for use when servicing the installed equipment

**4 Symbols and abbreviations**

This clause of Part 1 is applicable.

**5 Interface characteristics**

This clause of Part 1 is applicable except as follows.

**5.3.3 Rated diversity factor (RDF)**

*Addition:*

In the absence of an agreement between the ASSEMBLY manufacturer and user concerning the actual load currents, the assumed loading of the outgoing circuits of the ASSEMBLY or group of outgoing circuits may be based on the values in Table 101.

**5.5 Other characteristics**

*Replacement of item l):*

l) the type of construction - fixed, removable or withdrawable parts (see 8.5.2.101 to 8.5.2.103);

*Addition:*

m) the form of internal separation (see 8.101);

n) the types of electrical connections of functional units (see 8.5.101).

**6 Information**

This clause of Part 1 is applicable except as follows

**6.1 ASSEMBLY designation marking**

*Replacement of the title and item d):*

**6.1 PSC-ASSEMBLY designation marking**

d) IEC 61439-2;

### **6.2.1 Information relating to the ASSEMBLY**

*Replacement of the title:*

### **6.2.1 Information relating to the PSC-ASSEMBLY**

*Addition:*

- l) form of internal separation (see 8.101);
- m) types of electrical connections of functional units (see 8.5.101).

## **7 Service conditions**

This clause of Part 1 is applicable.

## **8 Constructional requirements**

This clause of Part 1 is applicable except as follows.

### **8.2 Degree of protection provided by a ASSEMBLY enclosure**

*Replacement of the title:*

### **8.2 Degree of protection provided by a PSC-ASSEMBLY enclosure**

Subclause 8.2.1 of Part 1 is not applicable.

*Additional subclause:*

#### **8.2.101 Degree of protection of withdrawable parts**

The degree of protection indicated for PSC-ASSEMBLIES normally applies to the connected position (see 3.2.3) of withdrawable parts. The ASSEMBLY manufacturer shall indicate the degree of protection obtained in the other positions and during the transfer between positions.

PSC-ASSEMBLIES with withdrawable parts may be so designed that the degree of protection applying to the connected position is also maintained in the test and isolated positions and during transfer from one position to another.

If, after the removal of a withdrawable part, the original degree of protection is not maintained, an agreement shall be reached between the ASSEMBLY manufacturer and user as to what measures shall be taken to ensure adequate protection. Information provided by the ASSEMBLY manufacturer may take the place of such an agreement.

#### **8.3.2 Clearances**

*Addition:*

Where functional units are mounted on withdrawable parts, the isolation provided in the isolated position shall at least comply with the requirements in the relevant specification for disconnectors (see IEC 60947-3). This applies with the equipment in new condition, taking account of the manufacturing tolerances and anticipated changes in dimensions due to wear.

The isolating distance between the withdrawable unit main contacts and their associated fixed contacts in the isolated position shall be capable of withstanding the test voltage for the declared impulse withstand voltage as specified in Table 102.

#### **8.4.3.2.2 Requirements for earth continuity providing protection against the consequences of faults within the ASSEMBLY**

*Replacement of last paragraph:*

When removable or withdrawable parts are equipped with a metal supporting surface, these surfaces shall be considered sufficient for ensuring earth continuity of protective circuits provided that the pressure exerted on them is sufficiently high. The continuity of the protective circuit of a withdrawable part shall remain effective from the connected position to the isolated position inclusively.

#### **8.4.5.1 Devices to be operated or components to be replaced by ordinary persons**

This subclause of Part 1 is not applicable.

#### **8.4.5.2 Requirements related to accessibility in service by authorized persons**

*Additional subclause:*

##### **8.4.5.2.101 Operating and maintenance gangways within a PSC-ASSEMBLY**

Operating and maintenance gangways (see 3.102.1 and 3.102.2) within an ASSEMBLY shall comply with the requirements for basic protection as specified in IEC 61140. The design and construction of such gangways shall be agreed upon between ASSEMBLY Manufacturer and User.

Recesses within a PSC-ASSEMBLY of limited depth, in the order of 1 m, are not considered to be gangways.

#### **8.5.2 Removable parts**

*Replacement of the title:*

#### **8.5.2 Removable and withdrawable parts**

*Additional subclauses:.*

##### **8.5.2.101 General**

The removable and withdrawable parts shall be so constructed that their electrical equipment can be safely isolated from or connected to the main circuit whilst this circuit is live. The removable and withdrawable parts may be provided with an insertion interlock (see 3.2.5 of Part 1). Minimum clearances and creepage distances (see 8.3 of Part 1 and 8.3.2 above) shall be complied with in the different positions as well as during transfer from one position to another.

NOTE It may be necessary to ensure that these operations are not performed under load.

##### **8.5.2.102 Removable parts**

Removable parts shall have a connected position (see 3.2.3 of Part 1) and a removed position (see 3.2.4 of Part 1).

##### **8.5.2.103 Withdrawable parts**

Withdrawable parts shall have in addition an isolated position (see 3.2.103) and may have a test position (see 3.2.102), or a test situation (see 3.1.102). They shall be distinctly located in these positions. These positions shall be clearly discernible.

In PSC-ASSEMBLIES with withdrawable parts all live parts shall be protected in such a manner that they cannot unintentionally be touched when the door, if any, is open and the withdrawable part is withdrawn from the connected position or removed. Where an obstacle or shutter is used they shall meet the requirements of 8.4.5.2.5 of Part 1, and warning labels shall be provided.

For the electrical conditions associated with the different positions of withdrawable parts, see Table 103.

#### **8.5.2.104 Interlocking and padlocking of withdrawable parts**

Unless otherwise specified, withdrawable parts shall be fitted with a device, which ensures that the apparatus can only be withdrawn and/or re-inserted after its main circuit has been interrupted.

In order to prevent unauthorized operation, withdrawable parts may be provided with means for a padlock or lock to secure them in one or more of their positions.

*Addition:*

#### **8.5.101 Description of the types of electrical connections of functional units**

The types of electrical connections of functional units within PSC-ASSEMBLIES or parts of PSC-ASSEMBLIES can be denoted by a three-letter code:

- the first letter denotes the type of electrical connection of the main incoming circuit;
- the second letter denotes the type of electrical connection of the main outgoing circuit;
- the third letter denotes the type of electrical connection of the auxiliary circuits.

The following letters shall be used:

- F for fixed connections (see 3.101.1);
- D for disconnectable connections (see 3.101.2);
- W for withdrawable connections (see 3.101.3).

*Addition:*

#### **8.101 Internal separation of PSC-ASSEMBLIES**

Typical arrangements of internal separation by barriers or partitions are described in Table 104 and are classified as forms (for examples, see Annex AA).

The form of separation and higher degrees of protection shall be the subject of an agreement between ASSEMBLY Manufacturer and User.

PSC-ASSEMBLIES can be divided to attain one or more of the following conditions between functional units, separate compartments or enclosed protected spaces:

- protection against contact with hazardous parts. The degree of protection shall be at least IP XXB;
- protection against the passage of solid foreign bodies. The degree of protection shall be at least IP 2X.

NOTE The degree of protection IP 2X covers the degree of protection IP XXB.

Separation may be achieved by means of partitions or barriers (metallic or non-metallic), insulation of live parts or the integral housing of a device e.g. a moulded case circuit breaker.

See 8.4.2.3 of Part 1 with regard to stability and durability of barriers and partitions.

See 8.4.5.2 of Part 1 and above with regard to accessibility for maintenance on isolated functional units.

## **9 Performance requirements**

This clause of Part 1 is applicable.

## **10 Design verification**

This clause of Part 1 is applicable except as follows.

### **10.3 Degree of protection of ASSEMBLIES**

*Addition:*

The degree of protection associated with withdrawable parts as specified in accordance with 8.2.101 shall be verified in accordance with IEC 60529.

#### **10.9.3.2 Impulse withstand voltage test**

*Addition:*

The impulse withstand voltage capability of the isolating distance between the withdrawable units' main contacts and their associated fixed contacts shall be verified to confirm compliance with 8.3.2.

### **10.13 Mechanical operation**

*Addition:*

In the case of withdrawable parts, the operating cycle includes any physical movements from the connected to the isolated position and back to the connected position.

## **11 Routine verifications**

This clause of Part 1 is applicable except as follows.

### **11.8 Mechanical operation**

*Replacement:*

Verification shall include the checking of interlocking and locking arrangements associated with removable and withdrawable parts.

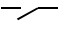



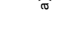

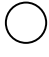
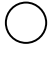



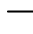

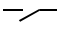
**Table 101 – Values of assumed loading**

Number of main circuits	Assumed loading factor
2 and 3	0,9
4 and 5	0,8
6 to 9 inclusive	0,7
10 (and above)	0,6

**Table 102 – Test voltages across the open contacts of equipment suitable for isolation**

Rated impulse withstand voltage $U_{imp}$ kV	Test voltages and corresponding altitudes during test									
	$U_{1,2/50}$ , a.c. peak and d.c. kV					a.c. r.m.s. kV				
	Sea level	200 m	500 m	1000 m	2000 m	Sea level	200 m	500 m	1000 m	2000 m
0,33	1,8	1,7	1,7	1,6	1,5	1,3	1,2	1,2	1,1	1,06
0,5	1,8	1,7	1,7	1,6	1,5	1,3	1,2	1,2	1,1	1,06
0,8	1,8	1,7	1,7	1,6	1,5	1,3	1,2	1,2	1,1	1,06
1,5	2,3	2,3	2,2	2,2	2,0	1,6	1,6	1,55	1,55	1,42
2,5	3,5	3,5	3,4	3,2	3,0	2,47	2,47	2,40	2,26	2,12
4	6,2	6,0	5,8	5,6	5,0	4,38	4,24	4,10	3,96	3,54
6	9,8	9,6	9,3	9,0	8,0	7,00	6,80	6,60	6,40	5,66
8	12,3	12,1	11,7	11,1	10,0	8,70	8,55	8,27	7,85	7,07
12	18,5	18,1	17,5	16,7	15,0	13,10	12,80	12,37	11,80	10,60

**Table 103 – Electrical conditions for the different positions of withdrawable parts**

Circuit	Method of connection	Position			
		Connected position (see 3.2.104)	Test situation/position (see 3.1.101/3.2.105)	Isolated position (see 3.2.106)	Removed position (see 3.2.108)
Incoming main circuit	Incoming line plug and socket or other connection facilities				
Outgoing main circuit	Outgoing line plug and socket or other connection facilities		 or  a)	 or  a)	
Auxiliary circuit	Plug and socket or similar connection facilities				
Condition of circuits within withdrawable parts		Live	Live Auxiliary circuits ready for operational testing	Dead if no backfeed is present	
Condition of outgoing PSC-ASSEMBLY terminals of main circuits		Live	Live or not disconnected b)	Dead if no backfeed is present	Dead if no backfeed is present
The requirements of 8.4.4 of Part 1 shall be complied with.					
Earth continuity shall be in accordance with 8.4.3.2.2 and maintained until the isolating distance is established.					
a) Depending on design.					
b) Depending on the terminals being fed from alternative sources of supply such as a standby supply.					
 = connected  = isolated  = open, but not necessarily isolated					

**Table 104 – Forms of internal separation**

Main criteria	Subcriteria	Form
No internal separation		Form 1
Separation of busbars from the functional units	Terminals for external conductors not separated from busbars	Form 2a
	Terminals for external conductors separated from busbars	Form 2b
Separation of busbars from the functional units and separation of all functional units from one another. Separation of terminals for external conductors from the functional units, but not from those of other functional units	Terminals for external conductors not separated from busbars	Form 3a
	Terminals for external conductors separated from busbars	Form 3b
Separation of busbars from all functional units and separation of all functional units from one another. Separation of terminals for external conductors associated with a functional unit from those of any other functional unit and the busbars.	Terminals for external conductors in the same compartment as the associated functional unit	Form 4a
	Terminals for external conductors not in the same compartment as the associated functional unit, but in individual, separate, enclosed protected spaces or compartments	Form 4b

Copyright International Electrotechnical Commission  
 Provided by IHS under license with IEC  
 No reproduction or networking permitted without license from IHS



## **Annexes**

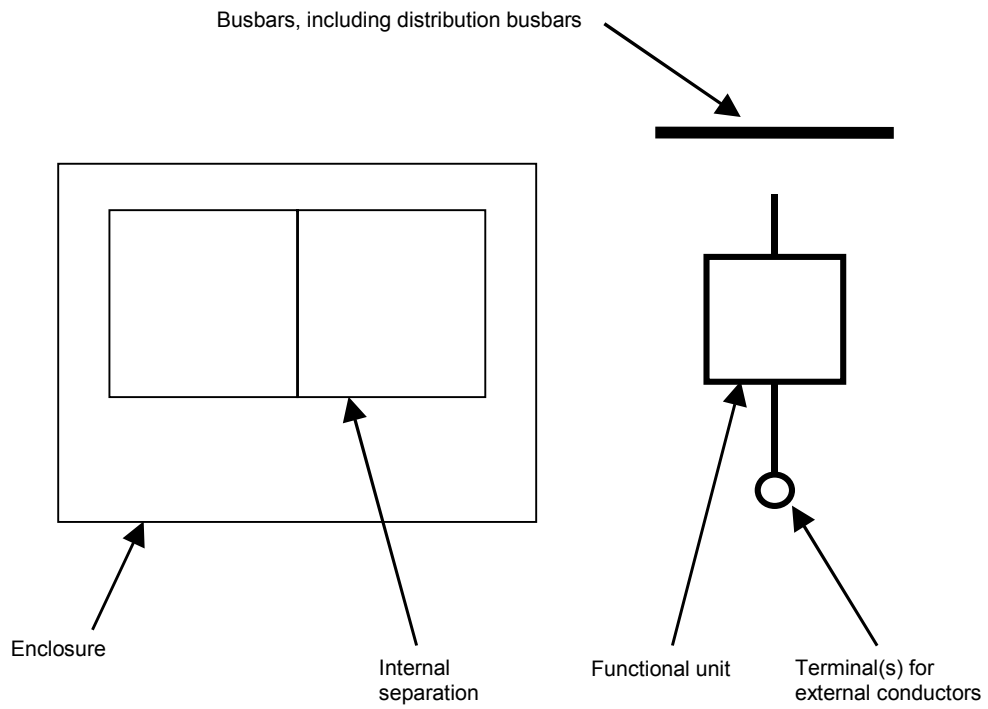
Annexes of Part 1 are applicable except as follows.

*Additional annexes:*

www.intel.com

### Annex AA (informative)

#### Forms of internal separations (see 8.101)

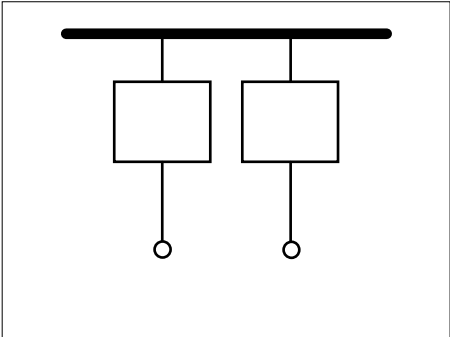


IEC 057/04

Figure AA.1 – Symbols used in Figures AA.2 and AA.3

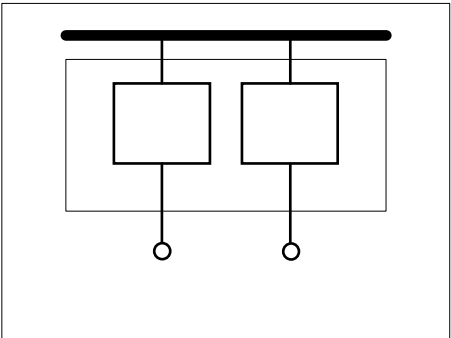
**Form 1**

**No internal separation**

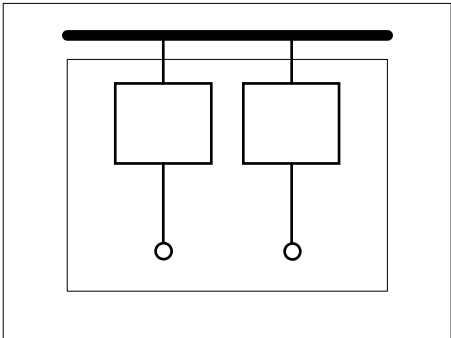


**Form 2**

**Separation of busbars from the functional units**



Form 2a:  
Terminals not separated from busbars



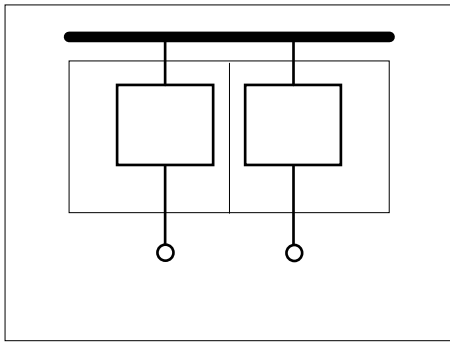
Form 2b:  
Terminals separated from busbars

IEC 1121/99

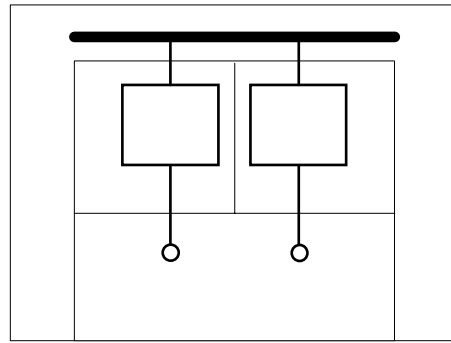
**Figure AA.2 – Forms 1 and 2**

### Form 3

**Separation of busbars from all functional units**  
+  
**Separation of all functional units from one another**  
+  
**Separation of terminals for external conductors from the functional units, but not from those of other functional units**



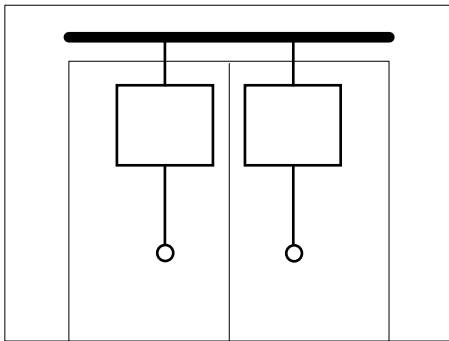
Form 3a:  
Terminals not separated from busbars



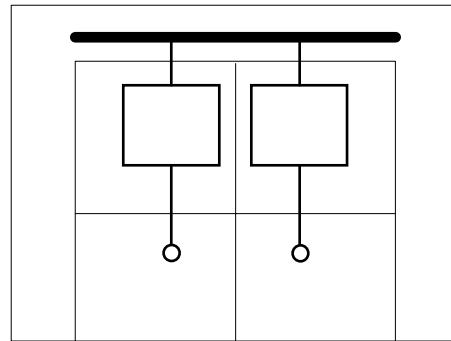
Form 3b:  
Terminals separated from busbars

### Form 4

**Separation of busbars from all functional units**  
+  
**Separation of all functional units from one another**  
+  
**Separation of terminals for external conductors associated with a functional unit from those of any other functional unit and the busbars**



Form 4a:  
Terminals in same compartment  
as associated functional unit



Form 4b:  
Terminals not in same compartment  
as associated functional unit

IEC 1123/99

Figure AA.3 – Forms 3 and 4

## Annex BB (informative)

### Items subject to agreement between the ASSEMBLY manufacturer and the user

The following information is subject to an agreement between the ASSEMBLY manufacturer and the user. In some cases information declared by the ASSEMBLY manufacturer may take the place of an agreement.

**Table BB.1 – Items subject to agreement between  
the ASSEMBLY manufacturer and the user**

User defined functions and characteristics	Reference clause (for Parts 1 and 2)	Standard arrangement <sup>b</sup>	User requirement <sup>a</sup>
<b>Electrical system</b>			
Earthing system	5.5, 8.4.3.2.3, 8.6.2, 10.5, 11.4		
Rated voltage $U_n$ (Volts)	3.8.8.1, 5.2.1, 8.5.3		
Overtoltage category	5.2.4, 8.5.3, 9.1, Annex G		
Unusual voltage transients, voltage stresses, temporary overvoltages	9.1	No	
Rated frequency $f_n$ (Hz)	3.8.11, 5.4, 8.5.3, 10.10.2.3, 10.11.5.4		
Additional on site testing requirements: wiring, operational performance and function	11.10		
<b>Short circuit withstand capability</b>			
Prospective short circuit current at supply terminals $I_{cp}$ (kA)	3.8.6		
Prospective short circuit current in the neutral	10.11.5.3.5	60 % of phase values	
Prospective short circuit current in the protective circuit	10.11.5.6	60 % of phase values	
SCPD in the incoming functional unit	9.3.2		
Co-ordination of short-circuit protective devices including external short-circuit protective device details	9.3.4		
Data associated with loads likely to contribute to the short-circuit current	9.3.2		
<b>Protection of persons against electric shock in accordance with IEC 60364-4-41</b>			
Type of protection against electric shock - Basic protection (protection against direct contact)  <i>NOTE This type of protection is intended to protect against electric shock due to direct contact within the ASSEMBLY during normal service conditions.</i>	8.4.2	Basic protection	
Type of protection against electric shock - Fault protection (protection against indirect contact)  <i>NOTE These types of protection are intended to protect against the consequences of a fault within the ASSEMBLY.</i>	8.4.3		
<b>Installation environment</b>			
Location type	3.5, 8.1.4, 8.2		
Protection against ingress of solid foreign bodies and ingress of liquid	8.2.2, 8.2.3	Outdoor: IP X3	

User defined functions and characteristics	Reference clause (for Parts 1 and 2)	Standard arrangement <sup>b</sup>	User requirement <sup>a</sup>
External mechanical impact (IK) <i>NOTE IEC 61439-1 does not nominate specific IK codes.</i>	8.2.1, 10.2.6		
Resistance to UV radiation (applies for outdoor assemblies only unless specified otherwise)	10.2.4	Standard	
Resistance to corrosion	10.2.2	Standard	
Ambient air temperature – lower limit	7.1.1	Indoor: –5 °C Outdoor: –25 °C	
Ambient air temperature – upper limit	7.1.1	40 °C	
Ambient air temperature – daily average maximum	7.1.1	35 °C	
Maximum relative humidity	7.1.2	Indoor: 50 % @ 40 °C Outdoor: 100 % @ 25 °C	
Pollution degree	7.1.3	Industrial: 3	
Altitude	7.1.4	≤ 2000 m	
EMC environment	9.4, 10.12, Annex J		
Special service conditions (e.g. vibration, exceptional condensation, heavy pollution, corrosive environment, strong electric or magnetic fields, fungus, small creatures, explosion hazards, heavy vibration and shocks, earthquakes)	7.2, 8.5.4, 9.3.3 Table 7,		
<b>Installation method</b>			
Type	3.3, 5.5		
Portability	3.5		
Maximum overall dimensions and weight	6.2.1		
External conductor type(s)	8.8		
Direction(s) of external conductors	8.8		
External conductor material	8.8		
External phase conductor, cross sections, and terminations	8.8	Standard	
External PE, N, PEN conductors cross sections, and terminations	8.8	Standard	
Special terminal identification requirements	8.8		
<b>Storage and handling</b>			
Maximum dimensions and weight of transport units	6.2.2, 10.2.5		
Methods of transport (e.g. forklift, crane)	6.2.2, 8.1.7		
Environmental conditions different from the service conditions	7.3		
Packing details	6.2.2		
<b>Operating arrangements</b>			
Access to manually operated devices	8.4, 8.5.5		
Isolation of load installation equipment items	8.4.2, 8.4.3.3, 8.4.5.2		
<b>Maintenance and upgrade capabilities</b>			
Requirements related to accessibility in service by ordinary persons; requirement to operate devices or change components while the ASSEMBLY is energised	8.4.5.1	No	
Requirements related to accessibility for inspection and similar operations	8.4.5.2.2	No	
Requirements related to accessibility for maintenance in service by authorized persons	8.4.5.2.3	No	
Requirements related to accessibility for extension in service	8.4.5.2.4	No	

User defined functions and characteristics	Reference clause (for Parts 1 and 2)	Standard arrangement <sup>b</sup>	User requirement <sup>a</sup>
by authorized persons			
Method of functional units connection <i>NOTE This refers to the capability of removal and re-insertion of functional units.</i>	8.5.1, 8.5.2		
Protection against direct contact with hazardous live internal parts during maintenance or upgrade (e.g. functional units, main busbars, distribution busbars)	8.4	No	
Method of functional units connection <i>NOTE This refers to the capability of removal and re-insertion of functional units.</i>	8.5.101		
Form of separation	8.101		
Capability to test individual operation of the auxiliary circuits relating to specified circuits while the functional unit is isolated	3.1.102, 3.2.102, 3.2.103, 8.5.101, Table 103		
<b>Current carrying capability</b>			
Rated current of the ASSEMBLY $I_{NA}$ (Amps)	3.8.9.1, 5.3, 8.4.3.2.3, 8.5.3, 8.8, 10.10.2, 10.10.3, 10.11.5, Annex E		
Rated current of circuits $I_{NC}$ (Amps)	5.3.2		
Rated diversity factor	5.3.3, 10.10.2.3, Annex E	According to product standards	
Ratio of cross section of the neutral conductor to phase conductors: phase conductors up to and including 16 mm <sup>2</sup> <i>NOTE Current in the neutral may be influenced where there are significant harmonics, unbalanced phase currents, or other conditions in the load that will necessitate a larger conductor.</i>	8.6.1	100 %	
Ratio of cross section of the neutral conductor to phase conductors: phase conductors above 16 mm <sup>2</sup> <i>NOTE For the standard value, the neutral current is assumed not to exceed 50% of the phase currents. Current in the neutral may be influenced where there are significant harmonics, unbalanced phase currents, or other conditions in the load that will necessitate a larger conductor.</i>	8.6.1	50 % (min. 16 mm <sup>2</sup> )	
<sup>a</sup> For exceptionally onerous applications, the user may need to specify more stringent requirements to those in the standard.			
<sup>b</sup> A grey column entry indicates that there is no standard arrangement for functions or characteristics and the user should specify their requirements.			

## Bibliography

The bibliography of Part 1 is applicable.

---

Copyright International Electrotechnical Commission  
Provided by IHS under license with IEC  
No reproduction or networking permitted without license from IHS





## SOMMAIRE

AVANT-PROPOS.....	25
1 Domaine d'application .....	27
2 Références normatives.....	27
3 Termes et définitions .....	27
3.1 Termes généraux .....	27
3.2 Unités de construction des ENSEMBLES PSC .....	28
4 Symboles et abréviations.....	29
5 Caractéristiques d'interface .....	29
6 Informations .....	29
6.1 Marquage pour la désignation des ENSEMBLES PSC .....	29
7 Conditions d'emploi .....	30
8 Exigences de construction.....	30
9 Exigences de performance .....	33
10 Vérification de conception .....	33
11 Vérifications individuelle de série .....	33
Annexes .....	37
Annexe AA (informative) Formes de séparations internes (voir 8.101) .....	38
Annexe BB (informative) Sujets soumis à accord entre le fabricant d'ENSEMBLES et l'utilisateur .....	41
Bibliographie.....	44
Figure AA.1 – Symboles utilisés dans les Figures AA.2 et AA.3 .....	38
Figure AA.2 – Formes 1 et 2 .....	39
Figure AA.3 – Formes 3 et 4 .....	40
Tableau 101 – Valeurs de charge supposée .....	34
Tableau 102 – Tensions d'essai à travers les contacts ouverts des matériels aptes au sectionnement .....	34
Tableau 103 – Raccordements électriques correspondant aux différentes positions des parties débroschables .....	35
Tableau 104 – Formes des séparations internes .....	36

# COMMISSION ELECTROTECHNIQUE INTERNATIONALE

## ENSEMBLES D'APPAREILLAGE À BASSE TENSION –

### Partie 2: Ensembles d'appareillage de puissance

#### AVANT-PROPOS

- 1) La Commission Electrotechnique Internationale (CEI) est une organisation mondiale de normalisation composée de l'ensemble des comités électrotechniques nationaux (Comités nationaux de la CEI). La CEI a pour objet de favoriser la coopération internationale pour toutes les questions de normalisation dans les domaines de l'électricité et de l'électronique. A cet effet, la CEI – entre autres activités – publie des Normes internationales, des Spécifications techniques, des Rapports techniques, des Spécifications accessibles au public (PAS) et des Guides (ci-après dénommés "Publication(s) de la CEI"). Leur élaboration est confiée à des comités d'études, aux travaux desquels tout Comité national intéressé par le sujet traité peut participer. Les organisations internationales, gouvernementales et non gouvernementales, en liaison avec la CEI, participent également aux travaux. La CEI collabore étroitement avec l'Organisation Internationale de Normalisation (ISO), selon des conditions fixées par accord entre les deux organisations.
- 2) Les décisions ou accords officiels de la CEI concernant les questions techniques représentent, dans la mesure du possible, un accord international sur les sujets étudiés, étant donné que les Comités nationaux de la CEI intéressés sont représentés dans chaque comité d'études.
- 3) Les Publications de la CEI se présentent sous la forme de recommandations internationales et sont agréées comme telles par les Comités nationaux de la CEI. Tous les efforts raisonnables sont entrepris afin que la CEI s'assure de l'exactitude du contenu technique de ses publications; la CEI ne peut pas être tenue responsable de l'éventuelle mauvaise utilisation ou interprétation qui en est faite par un quelconque utilisateur final.
- 4) Dans le but d'encourager l'uniformité internationale, les Comités nationaux de la CEI s'engagent, dans toute la mesure possible, à appliquer de façon transparente les Publications de la CEI dans leurs publications nationales et régionales. Toutes divergences entre toutes Publications de la CEI et toutes publications nationales ou régionales correspondantes doivent être indiquées en termes clairs dans ces dernières.
- 5) La CEI n'a prévu aucune procédure de marquage valant indication d'approbation et n'engage pas sa responsabilité pour les équipements déclarés conformes à une de ses Publications.
- 6) Tous les utilisateurs doivent s'assurer qu'ils sont en possession de la dernière édition de cette publication.
- 7) Aucune responsabilité ne doit être imputée à la CEI, à ses administrateurs, employés, auxiliaires ou mandataires, y compris ses experts particuliers et les membres de ses comités d'études et des Comités nationaux de la CEI, pour tout préjudice causé en cas de dommages corporels et matériels, ou de tout autre dommage de quelque nature que ce soit, directe ou indirecte, ou pour supporter les coûts (y compris les frais de justice) et les dépenses découlant de la publication ou de l'utilisation de cette Publication de la CEI ou de toute autre Publication de la CEI, ou au crédit qui lui est accordé.
- 8) L'attention est attirée sur les références normatives citées dans cette publication. L'utilisation de publications référencées est obligatoire pour une application correcte de la présente publication.
- 9) L'attention est attirée sur le fait que certains des éléments de la présente Publication de la CEI peuvent faire l'objet de droits de propriété intellectuelle ou de droits analogues. La CEI ne saurait être tenue pour responsable de ne pas avoir identifié de tels droits de propriété et de ne pas avoir signalé leur existence.

La Norme internationale CEI 61439-2 a été établie par le sous-comité 17D: Ensembles d'appareillage à basse tension, du comité d'études 17 de la CEI: Appareillage.

Le texte de cette norme est basé sur les documents suivants:

CDV	Rapport de vote
17D/358/CDV	17D/363/RVC

Le rapport de vote indiqué dans le tableau ci-dessus donne toute information sur le vote ayant abouti à l'approbation de cette norme.

Cette publication a été rédigée selon les Directives ISO/CEI, Partie 2.

La présente norme doit être lue conjointement à la CEI 61439-1. Les dispositions fixées par les exigences générales contenues dans la CEI 61439-1 (désignée dans la suite du texte sous l'appellation « Partie 1 ») s'appliquent pour la présente norme à chaque fois que cela est expressément indiqué. Lorsque la présente norme spécifie "addition", "modification" ou "remplacement", le texte correspondant de la Partie 1 doit être adapté en conséquence.

Les paragraphes qui sont numérotés avec un suffixe 101 (102, 103, etc.), sont ajoutés au même paragraphe de la Partie 1.

Les tableaux et les figures de cette Partie 2 qui sont nouveaux sont numérotés à partir de 101.

Les nouvelles annexes de cette Partie 2 sont appelées AA, BB, etc.

Dans cette norme, les termes figurant en petites capitales sont définis à l'Article 3.

Une liste de toutes les parties de la série CEI 61439, présentées sous le titre général *Ensembles d'appareillage à basse tension*, peut être consultée sur le site web de la CEI.

Le comité a décidé que le contenu de cette publication ne sera pas modifié avant la date de maintenance indiquée sur le site web de la CEI sous «<http://webstore.iec.ch>» dans les données relatives à la publication recherchée. A cette date, la publication sera

- reconduite;
- supprimée;
- remplacée par une édition révisée, ou
- amendée.

## ENSEMBLES D'APPAREILLAGE À BASSE TENSION –

### Partie 2: Ensembles d'appareillage de puissance

#### 1 Domaine d'application

L'article de la Partie 1 s'applique avec les exceptions suivantes:

*Addition:*

La présente norme définit les exigences spécifiques applicables aux ENSEMBLES d'appareillage de puissance (ENSEMBLES-PSC, (*power switchgear and controlgear*)) dont la tension assignée ne dépasse pas 1 000 V en courant alternatif ou 1 500 V en courant continu.

Dans la présente partie, l'abréviation ENSEMBLE PSC est utilisée pour désigner les ENSEMBLES d'appareillage de puissance (voir 3.1.101).

La présente norme ne s'applique pas aux types d'ENSEMBLES spécifiques qui sont couverts par d'autres parties de la CEI 61439.

#### 2 Références normatives

L'article de la Partie 1 s'applique avec les exceptions suivantes:

*Addition:*

CEI 60947-3:1999, *Appareillage à basse tension – Partie 3: Interrupteurs, sectionneurs, interrupteurs-sectionneurs et combinés-fusibles*

CEI 61140:2001, *Protection contre les chocs électriques – Aspects communs aux installations et aux matériels – Publication fondamentale de sécurité*

CEI 61439-1, *Ensembles d'appareillage à basse tension – Partie 1: Règles générales*

#### 3 Termes et définitions

L'article de la Partie 1 est applicable avec les exceptions suivantes.

##### 3.1 Termes généraux

*Définitions complémentaires:*

###### 3.1.101

###### **ensemble d'appareillage de puissance (ENSEMBLE PSC)**

ENSEMBLE d'appareillage à basse tension utilisé pour répartir et commander l'énergie pour tous les types de charges et prévu pour des applications industrielles, commerciales et analogues dans lesquelles l'exploitation par des personnes ordinaires n'est pas prévue

### **3.1.102**

#### **conditions d'essai**

état d'un ENSEMBLE PSC ou d'une partie de celui-ci dans lequel les circuits principaux correspondants sont ouverts en amont sans être nécessairement sectionnés et dans lequel les circuits auxiliaires associés sont raccordés, ce qui permet d'effectuer les essais de fonctionnement des dispositifs incorporés

### **3.1.103**

#### **forme de séparation interne**

classification de séparation physique à l'intérieur d'un ENSEMBLE PSC

## **3.2 Unités de construction des ENSEMBLES**

*Remplacement du titre:*

## **3.2 Unités de construction des ENSEMBLES PSC**

*Définitions complémentaires:*

### **3.2.101**

#### **partie débrochable**

partie amovible prévue pour être déplacée de la position raccordée à la position de sectionnement et à une éventuelle position d'essai tout en restant mécaniquement reliée à l'ENSEMBLE PSC

### **3.2.102**

#### **position d'essai**

position d'une partie débrochable dans laquelle les circuits principaux correspondants sont ouverts en amont mais pas nécessairement sectionnés et dans laquelle les circuits auxiliaires sont raccordés, ce qui permet d'effectuer des essais de fonctionnement des dispositifs incorporés, la partie débrochable restant mécaniquement reliée à l'ENSEMBLE PSC

NOTE L'ouverture peut être également effectuée par la manœuvre d'un dispositif approprié, sans aucun mouvement mécanique de la partie débrochable.

### **3.2.103**

#### **position de sectionnement**

position d'une partie débrochable dans laquelle une distance de sectionnement est établie dans les circuits principaux et auxiliaires en amont, la partie débrochable restant mécaniquement reliée à L'ENSEMBLE PSC

NOTE La distance de sectionnement peut être également établie par la manœuvre d'une dispositif approprié, sans aucun mouvement mécanique de la partie débrochable.

### **3.2.104**

#### **distance de sectionnement (d'une partie débrochable)**

distance d'isolement entre contacts ouverts satisfaisant aux exigences de sécurité spécifiées pour les sectionneurs

[VEI 441-17-35: 1984, modifiée]

*Addition:*

## **3.101 Connexions électriques des unités fonctionnelles**

### **3.101.1**

#### **connexion déconnectable**

connexion qui est connectée ou déconnectée par manœuvre manuelle du moyen de connexion, sans utiliser d'outil

**3.101.2****connexion débrochable**

connexion qui est connectée ou déconnectée en mettant l'unité fonctionnelle dans la situation raccordée ou dans la situation de sectionnement

**3.102 Passages à l'intérieur d'un ENSEMBLE PSC****3.102.1****passage de service à l'intérieur d'un ENSEMBLE PSC**

espace à utiliser par l'opérateur pour assurer correctement le fonctionnement et la surveillance de l'ENSEMBLE PSC

**3.102.2****passage d'entretien à l'intérieur d'un ENSEMBLE PSC**

espace accessible au seul personnel autorisé et qui a été prévu à l'origine pour être utilisé lors de l'entretien de l'équipement installé

**4 Symboles et abréviations**

L'article de la Partie 1 est applicable.

**5 Caractéristiques d'interface**

L'article de la Partie 1 s'applique avec les exceptions suivantes.

**5.3.3 Facteur de diversité assigné (RDF)**

*Addition:*

En l'absence d'un accord entre le fabricant d'ENSEMBLES et l'utilisateur concernant les courants de charge réels, la charge supposée des circuits de départ de l'ENSEMBLE ou du groupe des circuits de départ peut être fondée sur les valeurs du Tableau 101.

**5.5 Autres caractéristiques**

*Remplacement du point l):*

l) le type de construction – parties fixes, amovibles ou débrochables (voir 8.5.2.101 à 8.5.2.103);

*Addition:*

m) forme de séparation interne (voir 8.101);

n) types de connexions électriques des unités fonctionnelles (voir 8.5.101).

**6 Informations**

L'article de la Partie 1 est applicable avec les exceptions suivantes:

**6.1 Marquage pour la désignation des ENSEMBLES**

*Remplacement du titre et du point d)*

**6.1 Marquage pour la désignation des ENSEMBLES PSC**

d) CEI 61439-2;

### **6.2.1 Renseignements concernant l'ENSEMBLE**

*Remplacement du titre:*

### **6.2.1 Renseignements concernant l'ENSEMBLE PSC**

*Addition:*

- l) forme de séparation interne (voir 8.101);
- m) types de connexions électriques des unités fonctionnelles (voir 8.5.101).

## **7 Conditions d'emploi**

L'article de la Partie 1 est applicable.

## **8 Exigences de construction**

L'article de la Partie 1 est applicable avec les exceptions suivantes:

### **8.2 Degré de protection fourni par une enveloppe d'ENSEMBLE**

*Remplacement du titre:*

### **8.2 Degré de protection fourni par une enveloppe d'ENSEMBLE PSC**

Le Paragraphe 8.2.1 de la Partie 1 ne s'applique pas.

*Paragraphe complémentaire:*

#### **8.2.101 Degré de protection des parties débrochables**

Le degré de protection indiqué pour les ENSEMBLES PSC s'applique normalement à la position raccordée (voir 3.2.3) des parties débrochables. Le fabricant d'ENSEMBLES doit indiquer le degré de protection obtenu dans les autres positions et au cours du passage entre les positions.

Les ENSEMBLES PSC qui possèdent des parties débrochables peuvent être conçus de telle manière que le degré de protection qui s'applique à la position raccordée soit également maintenu au cours de l'essai et dans les positions de sectionnement ainsi qu'au cours du passage d'une position à une autre.

Si le degré de protection d'origine n'est pas maintenu après le retrait d'une partie débrochable, un accord doit être recherché entre le fabricant d'ENSEMBLES et l'utilisateur concernant les mesures à prendre pour assurer la protection adéquate. Les indications fournies par le fabricant d'ENSEMBLES peuvent tenir lieu d'un tel accord.

#### **8.3.2 Distances d'isolement**

*Addition:*

Dans le cas d'unités fonctionnelles montées sur des parties débrochables, le sectionnement prévu dans la position sectionnée doit au moins satisfaire aux exigences de la spécification applicable aux sectionneurs (voir CEI 60947-3). Ceci s'applique aux matériels à l'état neuf en tenant compte des tolérances de fabrication et du jeu prévu dû à l'usure.

La distance de sectionnement entre les contacts principaux de l'unité débrochable et leurs contacts fixes associés dans la position de sectionnement doit pouvoir résister à la tension d'essai pour la tension de tenue aux chocs déclarée comme spécifié au Tableau 102.



#### **8.4.3.2.2 Exigences pour la continuité du circuit de terre assurant la protection contre les conséquences des défauts à l'intérieur de l'ENSEMBLE**

*Remplacement du dernier alinéa:*

Lorsque les parties amovibles ou débrochables comportent des surfaces portantes métalliques, ces surfaces doivent être considérées comme suffisantes pour assurer la continuité à la terre des circuits de protection à condition que la pression exercée sur elles soit suffisamment élevée. Dans le cas d'une partie débrochable la continuité du circuit de protection doit demeurer effective de la position raccordée à la position jusques et y compris la position de sectionnement.

#### **8.4.5.1 Appareils pouvant être utilisés ou composants pouvant être remplacés par des personnes ordinaires**

Le paragraphe de la Partie 1 ne s'applique pas.

#### **8.4.5.2 Exigences relatives à l'accessibilité en service par des personnes autorisées**

*Paragraphe complémentaire:*

##### **8.4.5.2.101 Passages de service et d'entretien à l'intérieur d'un ensemble PSC**

Les passages de service et les passages d'entretien (voir 3.102.1 et 3.102.2) à l'intérieur d'un ENSEMBLE doivent satisfaire aux exigences pour la protection principale spécifiées dans la CEI 61140. La conception et la construction de tels passages doivent faire l'objet d'un accord entre le fabricant d'ENSEMBLES et l'utilisateur.

Les espaces à l'intérieur des ENSEMBLES PSC d'une profondeur limitée à environ 1 m ne sont pas considérés comme étant des passages.

#### **8.5.2 Parties démontables**

*Remplacement du titre:*

#### **8.5.2 Parties démontables et débrochables**

*Paragraphes complémentaires:*

##### **8.5.2.101 Généralités**

Les parties démontables et les parties débrochables doivent être conçues de sorte que leur équipement électrique puisse être séparé du circuit principal ou raccordé à celui-ci en toute sécurité alors que le circuit est sous tension. Les parties démontables et les parties débrochables peuvent être équipées d'un verrouillage d'insertion (voir 3.2.5 de la Partie 1). Les valeurs minimales des distances d'isolement et des lignes de fuite (voir 8.3 de la Partie 1 et 8.3.2 ci-dessus) doivent être satisfaites dans les différentes positions aussi bien qu'au cours du passage d'une position à une autre.

NOTE Il peut être nécessaire de s'assurer que ces manœuvres ne sont pas effectuées en charge.

##### **8.5.2.102 Parties démontables**

Les parties démontables doivent avoir une position raccordée (voir 3.2.3 de la Partie 1) et une position retirée (voir 3.2.4 de la Partie 1).

##### **8.5.2.103 Parties débrochables**

Les parties débrochables doivent avoir en outre une position de sectionnement (voir 3.2.103) et peuvent avoir une position d'essai (voir 3.2.102) ou une condition d'essai (voir 3.1.102).

Elles doivent être repérées de manière distincte dans ces positions. Ces positions doivent être clairement reconnaissables.

Dans les ENSEMBLES PSC avec des parties débrochables, toutes les parties actives doivent être protégées de telle sorte qu'elles ne puissent pas être touchées fortuitement lorsque la porte est ouverte, s'il y en a une, et lorsque la partie débrochable est débrochée de la position raccordée ou retirée. Si un obstacle ou un volet est utilisé, il doit satisfaire aux exigences de 8.4.5.2.5 de la Partie 1 et des signaux d'avertissement doivent être fournis.

Pour les conditions électriques associées aux différentes positions des parties débrochables, voir le Tableau 103.

#### **8.5.2.104 Verrouillage et cadenassage des parties débrochables**

Sauf spécification contraire, les parties débrochables doivent être munies d'un dispositif assurant que les appareils ne peuvent être retirés et/ou réinsérés que si leur circuit principal a été préalablement interrompu.

Afin d'empêcher toute manœuvre non autorisée, les parties débrochables peuvent être munies de cadenas ou de serrures pour les immobiliser dans une ou plusieurs de leurs positions.

*Addition*

#### **8.5.101 Description des types de connexions électriques des unités fonctionnelles**

Les types de connexions électriques des unités fonctionnelles dans les ENSEMBLES PSC ou les parties d'ENSEMBLES PSC peuvent être désignés par un code de trois lettres:

- la première lettre désigne le type de connexion électrique du circuit d'arrivée principal;
- la deuxième lettre désigne le type de connexion électrique du circuit de départ principal;
- la troisième lettre désigne le type de connexion électrique des circuits auxiliaires.

Les lettres suivantes doivent être utilisées:

- F pour les connexions fixes (voir 3.101.1);
- D pour les connexions déconnectables (voir 3.101.2);
- W pour les connexions débrochables (voir 3.101.3).

*Addition:*

#### **8.101 Séparation interne des ENSEMBLES PSC**

Les dispositions types pour la séparation interne par des barrières ou des cloisons sont décrites au Tableau 104 et sont classées en formes (voir les exemples de l'Annexe AA).

La forme de séparation et des degrés de protection plus élevés doivent faire l'objet d'un accord entre le fabricant d'ENSEMBLES et l'utilisateur.

Les ENSEMBLES PSC doivent être divisés en compartiments séparés ou en espaces protégés clos pour obtenir au moins une des conditions suivantes entre les unités fonctionnelles:

- protection contre les contacts avec des parties dangereuses. Le degré de protection doit être au moins égal à IP XXB;
- protection contre la pénétration de corps solides étrangers. Le degré de protection doit être au moins égal à IP 2X.

NOTE Le degré de protection IP 2X couvre le degré de protection IP XXB.

La séparation peut être obtenue au moyen de cloisons ou de barrières (métalliques ou non), par l'isolation des parties actives ou en plaçant l'appareil concerné à l'intérieur d'un boîtier intégré, par exemple disjoncteur à boîtier moulé.

Voir 8.4.2.3 de la Partie 1 pour ce qui concerne la robustesse et la durabilité des barrières et des cloisons.

Voir 8.4.5.2 de la Partie 1 et ci-dessus pour ce qui concerne l'accessibilité en vue de l'entretien des unités fonctionnelles sectionnées.

## **9 Exigences de performance**

L'article de la Partie 1 est applicable.

## **10 Vérification de conception**

L'article de la Partie 1 est applicable avec les exceptions suivantes.

### **10.3 Degré de protection procuré par les ENSEMBLES**

*Addition:*

Le degré de protection lié aux parties débrochables selon les spécifications de 8.2.101, doit être vérifié conformément à la CEI 60529.

#### **10.9.3.2 Essais de tenue aux tension de chocs**

*Addition:*

La capacité de tenue aux chocs de tension de la distance de sectionnement entre les contacts principaux des unités débrochables et leurs contacts fixes associés doit être vérifiée pour confirmer la conformité à 8.3.2.

### **10.13 Fonctionnement mécanique**

*Addition:*

Dans le cas de parties débrochables, le cycle comprend tous les mouvements physiques de la position raccordée à la position de sectionnement ainsi que le retour à la position raccordée.

## **11 Vérifications individuelle de série**

L'article de la Partie 1 est applicable avec les exceptions suivantes:

### **11.8 Fonctionnement mécanique**

*Remplacement:*

La vérification doit concerner les dispositions de verrouillage et de fermeture associées aux parties amovibles et débrochables.


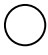

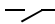


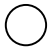




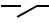
**Tableau 101 – Valeurs de charge supposée**

Nombre de circuits principaux	Facteur de charge supposée
2 et 3	0,9
4 et 5	0,8
6 à 9 compris	0,7
10 (et supérieur)	0,6

**Tableau 102 – Tensions d'essai à travers les contacts ouverts des matériels aptes au sectionnement**

Tension assignée de tenue aux chocs $U_{imp}$ kV	Tensions d'essai et altitudes correspondantes pendant l'essai									
	$U_{1,2/50}$ , courant alternatif, valeur de crête et courant continu kV					courant alternatif valeur efficace kV				
	Niveau de la mer	200 m	500 m	1 000 m	2 000 m	Niveau de la mer	200 m	500 m	1 000 m	2 000 m
0,33	1,8	1,7	1,7	1,6	1,5	1,3	1,2	1,2	1,1	1,06
0,5	1,8	1,7	1,7	1,6	1,5	1,3	1,2	1,2	1,1	1,06
0,8	1,8	1,7	1,7	1,6	1,5	1,3	1,2	1,2	1,1	1,06
1,5	2,3	2,3	2,2	2,2	2,0	1,6	1,6	1,55	1,55	1,42
2,5	3,5	3,5	3,4	3,2	3,0	2,47	2,47	2,40	2,26	2,12
4	6,2	6,0	5,8	5,6	5,0	4,38	4,24	4,10	3,96	3,54
6	9,8	9,6	9,3	9,0	8,0	7,00	6,80	6,60	6,40	5,66
8	12,3	12,1	11,7	11,1	10,0	8,70	8,55	8,27	7,85	7,07
12	18,5	18,1	17,5	16,7	15,0	13,10	12,80	12,37	11,80	10,60

Tableau 103 – Raccordements électriques correspondant aux différentes positions des parties débrochables

Circuit	Méthode de raccordement	Position			
		Position raccordée (voir 3.2.104)	Condition/position d'essai (voir 3.1.101/3.2.105)	Position de sectionnement (voir 3.2.106)	Position retirée (voir 3.2.108)
Circuit principal d'arrivée	Entrée par prises et socles ou autres dispositifs de raccordement				
Circuit principal de départ	Sortie par prises et socles ou autres dispositifs de raccordement		 a) ou 	 a) ou 	
Circuit auxiliaire	Fiches et socles ou autres dispositifs similaires				
Etat des circuits à l'intérieur des parties débrochables		Sous tension	Sous tension Circuits auxiliaires prêts pour les essais de fonctionnement	Hors tension s'il n'y a pas de tension de retour	
Etat des bornes de sortie des circuits principaux de L'ENSEMBLE PSC		Sous tension	Sous tension ou hors tension b)	Hors tension s'il n'y a pas de tension de retour	Hors tension s'il n'y a pas de tension de retour
Les exigences de 8.4.4 de la Partie 1 doivent être satisfaites.					
La continuité du circuit de terre doit être conforme à 8.4.3.2.2 et elle doit être maintenue jusqu'à ce que la distance de sectionnement soit établie.					
a) Dépend de la conception.					
b) Si les bornes peuvent être mises sous tension par une autre source telle qu'une alimentation de secours.					
 = raccordé  = sectionné  = ouvert, mais pas nécessairement sectionné					

**Tableau 104 – Formes des séparations internes**

Critère principal	Sous-critère	Forme
Pas de séparation interne		Forme 1
Séparation entre jeux de barres et unités fonctionnelles	Bornes pour conducteurs externes non séparés des jeux de barres	Forme 2a
	Bornes pour conducteurs externes séparés des jeux de barres	Forme 2b
Séparation entre jeux de barres et unités fonctionnelles et séparation de toutes les unités fonctionnelles entre elles. Séparation des bornes pour conducteurs externes des unités fonctionnelles, mais pas des bornes des autres unités fonctionnelles	Bornes pour conducteurs externes non séparés des jeux de barres	Forme 3a
	Bornes pour conducteurs externes séparés des jeux de barres	Forme 3b
Séparation entre jeux de barres et toutes les unités fonctionnelles et séparation de toutes les unités fonctionnelles entre elles. Séparation des bornes pour conducteurs externes associés à une unité fonctionnelle de celles de toutes les autres unités fonctionnelles et des jeux de barres	Bornes pour conducteurs externes dans le même compartiment que l'unité fonctionnelle associée	Forme 4a
	Bornes pour conducteurs externes qui ne sont pas dans le même compartiment que l'unité fonctionnelle à laquelle elles sont associées, mais dans des espaces protégés ou des compartiments individuels, séparés et fermés	Forme 4b

.....

## **Annexes**

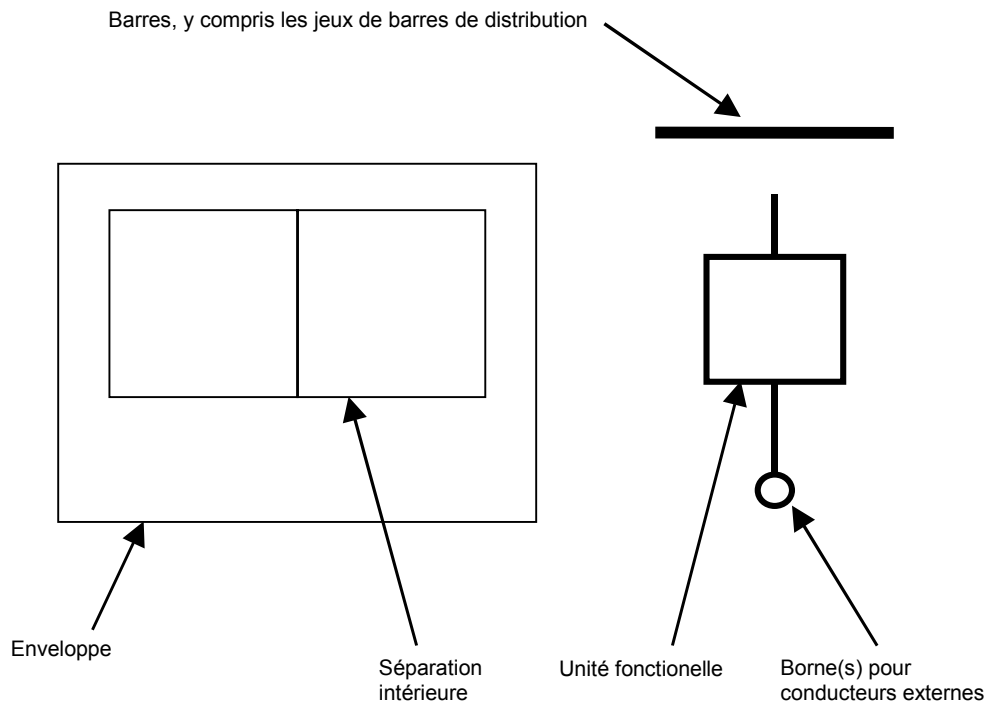
Les annexes de la Partie 1 sont applicables avec les exceptions suivantes.

*Annexes complémentaires:*

.....

## Annexe AA (informative)

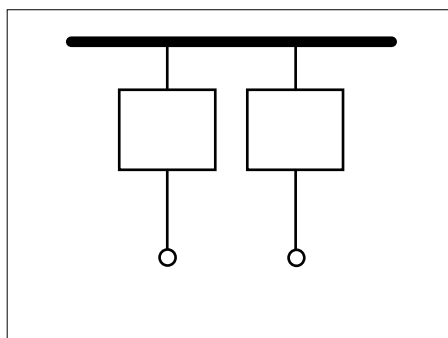
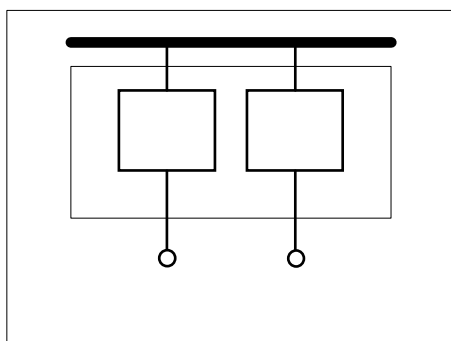
### Formes de séparations internes (voir 8.101)



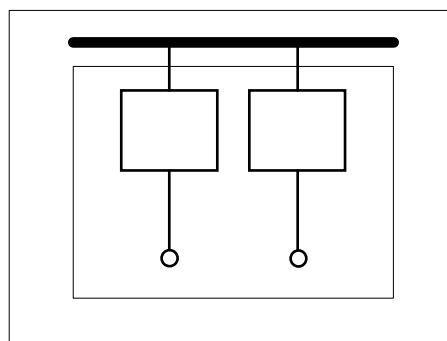
IEC 057/04

Figure AA.1 – Symboles utilisés dans les Figures AA.2 et AA.3



**Forme 1****Pas de séparation interne****Forme 2****Séparation entre jeux de barres et unités fonctionnelles**

Forme 2a:  
Bornes non séparées des jeux de barres



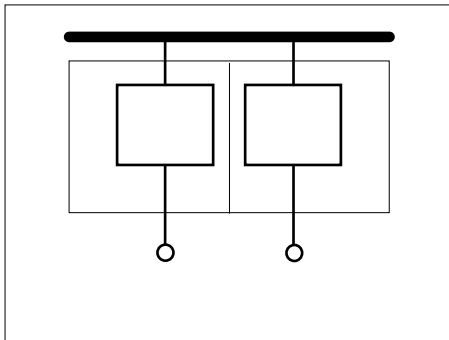
Forme 2b:  
Bornes séparées des jeux de barres

IEC 1121/99

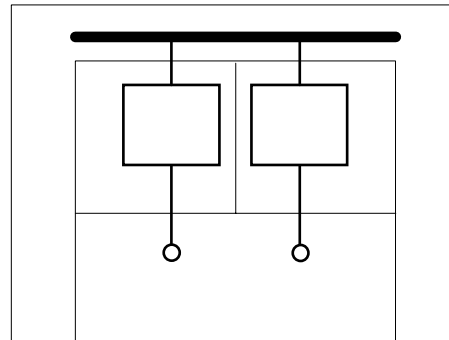
**Figure AA.2 – Formes 1 et 2**

### Forme 3

**Séparation entre les jeux de barres et toutes les unités fonctionnelles**  
+  
**Séparation de toutes les unités fonctionnelles entre elles**  
+  
**Séparation des bornes pour conducteurs externes des unités fonctionnelles, mais pas des bornes des autres unités fonctionnelles**



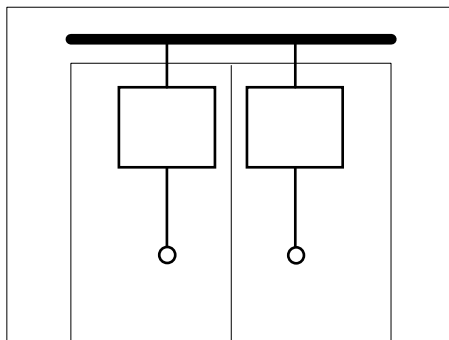
Forme 3a:  
Bornes non séparées des jeux de barres



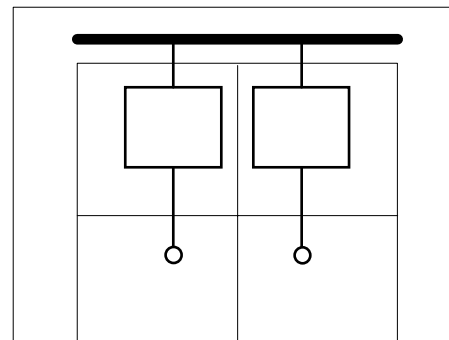
Forme 3b:  
Bornes séparées des jeux de barres

### Forme 4

**Séparation entre les jeux de barres et toutes les unités fonctionnelles**  
+  
**Séparation de toutes les unités fonctionnelles entre elles**  
+  
**Séparation des bornes pour conducteurs externes associés à une unité fonctionnelle de celles de toutes les autres unités fonctionnelles et des jeux de barres**



Forme 4a:  
Bornes dans le même compartiment que l'unité fonctionnelle associée



Forme 4b:  
Bornes qui ne sont pas dans le même compartiment que l'unité fonctionnelle associée

IEC 1123/99

Figure AA.3 – Formes 3 et 4

## Annexe BB (informative)

### Sujets soumis à accord entre le fabricant d'ENSEMBLES et l'utilisateur

Les exigences suivantes sont soumises à accord entre le fabricant d'ENSEMBLES et l'utilisateur. Dans certains cas, les renseignements donnés dans les catalogues du fabricant d'ENSEMBLES peuvent tenir lieu d'un tel accord.

**Tableau BB.1 – Sujets soumis à accord entre le fabricant d'ENSEMBLES et l'utilisateur**

Caractéristiques et fonctions définies par l'utilisateur	Article de référence (pour les Parties 1 et 2)	Configuration normale <sup>b</sup>	Exigence de l'utilisateur <sup>a</sup>
<b>Système électrique</b>			
Système de mise à la terre	5.5, 8.4.3.2.3, 8.6.2, 10.5, 11.4		
Tension assignée $U_n$ (volts)	3.8.8.1, 5.2.1, 8.5.3		
Option de catégorie de surtension	5.2.4, 8.5.3, 9.1, Annexe G		
Transitoires de tension inhabituels, contraintes de tension, surtensions temporaires	9.1	Non	
Fréquence assignée $f_n$ (Hz)	3.8.11, 5.4, 8.5.3, 10.10.2.3, 10.11.5.4		
Exigences supplémentaires d'essai sur site: câblage, performance de fonctionnement et fonction	11.10		
<b>Tenue aux courts-circuits</b>			
Courant de court-circuit présumé aux bornes d'alimentation $I_{cp}$ (kA)	3.8.6		
Courant de court-circuit présumé dans le neutre	10.11.5.3.5	60 % des valeurs pour les phases	
Courant de court-circuit présumé dans le circuit de protection	10.11.5.6	60 % des valeurs pour les phases	
DPCC dans l'unité fonctionnelle d'arrivée	9.3.2		
Coordination des appareils de protection contre les courts- cuits y compris les informations relatives à l'appareil de protection externe contre les courts-circuits	9.3.4		
Données associées à des charges susceptibles de contribuer au courant de court-circuit	9.3.2		
<b>Protection des personnes contre les chocs électriques selon la CEI 60364-4-41</b>			
Type de protection contre les chocs électriques – Protection principale (protection contre le contact direct) <i>NOTE Ce type de protection est destiné à protéger contre les chocs électriques résultant d'un contact direct avec l'ENSEMBLE dans les conditions normales d'emploi.</i>	8.4.2	Protection principale	
Type de protection contre les chocs électriques – Protection en cas de défaut (protection contre le contact indirect) <i>NOTE Ces types de protection sont destinés à protéger contre les conséquences d'un défaut à l'intérieur de l'ENSEMBLE.</i>	8.4.3		
<b>Environnement de l'installation</b>			
Type d'emplacement	3.5, 8.1.4, 8.2		
Protection contre la pénétration de corps étrangers solides et de liquides	8.2.2, 8.2.3	Extérieur: IPX3	

Caractéristiques et fonctions définies par l'utilisateur	Article de référence (pour les Parties 1 et 2)	Configuration normale <sup>b</sup>	Exigence de l'utilisateur <sup>a</sup>
Impact mécanique externe (IK) <i>NOTE La CEI 61439-1 ne désigne pas de codes IK particuliers.</i>	8.2.1, 10.2.6		
Tenue aux rayonnements UV (s'applique uniquement aux ensembles extérieurs, sauf autre mention particulière)	10.2.4	Normale	
Tenue à la corrosion	10.2.2	Normale	
Température de l'air ambiant – limite inférieure	7.1.1	Intérieur: -5 °C Extérieur: -25 °C	
Température de l'air ambiant – limite supérieure	7.1.1	40 °C	
Température de l'air ambiant – moyenne journalière maximale	7.1.1	35 °C	
Humidité relative maximale	7.1.2	Intérieur: 50 % @ 40 °C Extérieur: 100 % @ 25 °C	
Degré de pollution	7.1.3	Industriel: 3	
Altitude	7.1.4	≤ 2 000 m	
Environnement CEM	9.4, 10.12, Annexe J		
Conditions spéciales d'emploi (par exemple les vibrations, une condensation exceptionnelle, une forte pollution, un environnement corrosif, des champs électriques ou magnétiques élevés, des moisissures, de petits animaux, des dangers d'explosion, de forts chocs et vibrations, des séismes)	7.2, 8.5.4, 9.3.3 Tableau 7		
<b>Méthode d'installation</b>			
Type	3.3, 5.5		
Portabilité	3.5		
Dimensions hors tout et masse maximales	6.2.1		
Type(s) de conducteur externe	8.8		
Direction(s) des conducteurs externes	8.8		
Matériau de conducteur externe	8.8		
Sections et terminaisons de conducteurs de phase externes	8.8	Normale	
Sections et terminaisons des conducteurs PE, N et PEN externes	8.8	Normale	
Exigences spéciales d'identification des bornes	8.8		
<b>Stockage et manutention</b>			
Dimensions et masse maximales des unités de transport	6.2.2, 10.2.5		
Méthodes de transport (par exemple chariot-élévateur, grue)	6.2.2, 8.1.7		
Conditions d'environnement différentes des conditions d'emploi	7.3		
Informations d'emballage	6.2.2		
<b>Configurations de fonctionnement</b>			
Accès aux appareils manœuvrés à la main	8.4, 8.5.5		
Sectionnement des éléments d'équipement d'installation de la charge	8.4.2, 8.4.3.3, 8.4.5.2		
<b>Capacités d'entretien et d'évolution</b>			
Exigences relatives à l'accessibilité en service par des personnes ordinaires; exigence pour manœuvrer des appareils ou changer des composants alors que l'ENSEMBLE est sous tension	8.4.5.1	Non	
Exigences relatives à l'accessibilité en vue d'une inspection ou d'opérations analogues	8.4.5.2.2	Non	
Exigences relatives à l'accessibilité pour entretien en service par des personnes autorisées	8.4.5.2.3	Non	
Exigences relatives à l'accessibilité pour extension en service par des personnes autorisées	8.4.5.2.4	Non	

Caractéristiques et fonctions définies par l'utilisateur	Article de référence (pour les Parties 1 et 2)	Configuration normale <sup>b</sup>	Exigence de l'utilisateur <sup>a</sup>
Méthode de raccordement des unités fonctionnelles <i>NOTE Ceci fait référence à la capacité d'enlèvement et de remise en place des unités fonctionnelles.</i>	8.5.1, 8.5.2		
Protection contre les contacts directs avec des parties internes sous tension dangereuses au cours d'un entretien ou d'une évolution (par exemple les unités fonctionnelles, les jeux de barres principales, les jeux de barres de distribution)	8.4	Non	
Méthode de raccordement des unités fonctionnelles <i>NOTE Ceci fait référence à la capacité d'enlèvement et de remise en place des unités fonctionnelles.</i>	8.5.101		
Formes de séparation	8.101		
Capacité à essayer les fonctionnements particuliers des circuits auxiliaires relatifs aux circuits spécifiés alors que l'unité fonctionnelle est sectionnée	3.1.102, 3.2.102, 3.2.103, 8.5.101, Tableau 103		
<b>Courant admissible</b>			
Courant assigné de l'ENSEMBLE $I_{nA}$ (Ampères)	3.8.9.1, 5.3, 8.4.3.2.3, 8.5.3, 8.8, 10.10.2, 10.10.3, 10.11.5, Annexe E		
Courant assigné des circuits $I_{nc}$ (Ampères)	5.3.2		
Facteur de diversité assigné	5.3.3, 10.10.2.3, Annexe E	Conformément aux normes de produit	
Rapport de la section du conducteur neutre à celle des conducteurs de phase conducteurs de phase jusqu'à 16 mm <sup>2</sup> <i>NOTE Le courant dans le conducteur neutre peut subir des variations s'il se produit des harmoniques significatives, des courants de phase déséquilibrés ou d'autres conditions dans la charge qui nécessiteraient un conducteur de plus forte section.</i>	8.6.1	100 %	
Rapport de la section du conducteur neutre à celle des conducteurs de phase conducteurs de phase au-dessus de 16 mm <sup>2</sup> <i>NOTE Pour une valeur normale, le courant de neutre est supposé ne pas dépasser 50 % des courants de phase. Le courant dans le conducteur neutre peut subir des variations s'il se produit des harmoniques significatives, des courants de phase déséquilibrés ou d'autres conditions dans la charge qui nécessiteraient un conducteur de plus forte section.</i>	8.6.1	50 % (min. 16 mm <sup>2</sup> )	
<sup>a</sup> Dans le cas de conditions particulièrement sévères, il peut être nécessaire que l'utilisateur spécifie des exigences plus rigoureuses que celles développées dans la présente norme.			
<sup>b</sup> Une entrée de colonne de couleur grise signifie qu'il n'existe aucune disposition normative pour les fonctions ou caractéristiques et qu'il convient que l'utilisateur spécifie leurs exigences.			

Copyright International Electrotechnical Commission  
 Provided by IHS under license with IEC  
 No reproduction or networking permitted without license from IHS

## Bibliographie

La bibliographie de la Partie 1 est applicable.

---

.....

.....

INTERNATIONAL  
ELECTROTECHNICAL  
COMMISSION

3, rue de Varembé  
PO Box 131  
CH-1211 Geneva 20  
Switzerland

Tel: + 41 22 919 02 11  
Fax: + 41 22 919 03 00  
[info@iec.ch](mailto:info@iec.ch)  
[www.iec.ch](http://www.iec.ch)