

**INTERNATIONAL
STANDARD**

**IEC
61683**

First edition
1999-11

**Photovoltaic systems –
Power conditioners –
Procedure for measuring efficiency**

*Systèmes photovoltaïques –
Conditionneurs de puissance –
Procédure de mesure du rendement*



Reference number
IEC 61683:1999(E)

Numbering

As from 1 January 1997 all IEC publications are issued with a designation in the 20000 series.

Consolidated publications

Consolidated versions of some IEC publications including amendments are available. For example, edition numbers 1.0, 1.1 and 1.2 refer, respectively, to the base publication, the base publication incorporating amendment 1 and the base publication incorporating amendments 1 and 2.

Validity of this publication

The technical content of IEC publications is kept under constant review by the IEC thus ensuring that the content reflects current terminology.

Information relating to the date of the reconfirmation of the publication is available in the IEC catalogue.

Information on the subjects under consideration and work in progress undertaken by the technical committee which has prepared this publication, as well as the list of publications issued, is to be found at the following IEC sources:

- **IEC web site***
- **Catalogue of IEC publications**
Published yearly with regular updates
(On-line catalogue)*
- **IEC Bulletin**
Available both at the IEC web site* and as a printed periodical

Terminology, graphical and letter symbols

For general terminology, readers are referred to IEC 60050: *International Electrotechnical Vocabulary (IEV)*.

For graphical symbols, and letter symbols and signs approved by the IEC for general use, readers are referred to publications IEC 60027: *Letter symbols to be used in electrical technology*, IEC 60417: *Graphical symbols for use on equipment*, *Index, survey and compilation of the single sheets* and IEC 60617: *Graphical symbols for diagrams*.

* See web site address on title page

INTERNATIONAL STANDARD

IEC 61683

First edition
1999-11

Photovoltaic systems – Power conditioners – Procedure for measuring efficiency

*Systèmes photovoltaïques –
Conditionneurs de puissance –
Procédure de mesure du rendement*

© IEC 1999 — Copyright - all rights reserved

No part of this publication may be reproduced or utilized in any form or by any means, electronic or mechanical, including photocopying and recording, without permission in writing from the publisher.

International Electrotechnical Commission 3, rue de Varembe, Geneva, Switzerland
Telefax: +41 22 919 0300 e-mail: inmail@iec.ch IEC web site: <http://www.iec.ch>



Commission Electrotechnique Internationale
International Electrotechnical Commission
Международная Электротехническая Комиссия

PRICE CODE **K**

For price, see current catalogue

CONTENTS

	Page
FOREWORD	3
INTRODUCTION	4
Clause	
1 Scope	5
2 Normative reference	5
3 Definitions	5
4 Efficiency measurement conditions	6
4.1 DC power source for testing	6
4.2 Temperature	6
4.3 Output voltage and frequency	6
4.4 Input voltage	7
4.5 Ripple and distortion	7
4.6 Resistive loads/utility grid	7
4.7 Reactive loads	7
4.8 Resistive plus non-linear loads	8
4.9 Complex loads	8
5 Efficiency calculations	8
5.1 Rated output efficiency	8
5.2 Partial output efficiency	8
5.3 Energy efficiency	9
5.4 Efficiency tolerances	9
6 Efficiency test circuits	9
6.1 Test circuits	9
6.2 Measurement procedure	10
7 Loss measurement	10
7.1 No-load loss	10
7.2 Standby loss	11
Annex A (informative) Power conditioner description	12
Annex B (informative) Power efficiency and conversion factor	14
Annex C (informative) Weighted-average energy efficiency	16
Annex D (informative) Derivation of efficiency tolerance in table 2	19
Bibliography	20

INTERNATIONAL ELECTROTECHNICAL COMMISSION

**PHOTOVOLTAIC SYSTEMS – POWER CONDITIONERS –
PROCEDURE FOR MEASURING EFFICIENCY**

FOREWORD

- 1) The IEC (International Electrotechnical Commission) is a worldwide organization for standardization comprising all national electrotechnical committees (IEC National Committees). The object of the IEC is to promote international co-operation on all questions concerning standardization in the electrical and electronic fields. To this end and in addition to other activities, the IEC publishes International Standards. Their preparation is entrusted to technical committees; any IEC National Committee interested in the subject dealt with may participate in this preparatory work. International, governmental and non-governmental organizations liaising with the IEC also participate in this preparation. The IEC collaborates closely with the International Organization for Standardization (ISO) in accordance with conditions determined by agreement between the two organizations.
- 2) The formal decisions or agreements of the IEC on technical matters express, as nearly as possible, an international consensus of opinion on the relevant subjects since each technical committee has representation from all interested National Committees.
- 3) The documents produced have the form of recommendations for international use and are published in the form of standards, technical specifications, technical reports or guides and they are accepted by the National Committees in that sense.
- 4) In order to promote international unification, IEC National Committees undertake to apply IEC International Standards transparently to the maximum extent possible in their national and regional standards. Any divergence between the IEC Standard and the corresponding national or regional standard shall be clearly indicated in the latter.
- 5) The IEC provides no marking procedure to indicate its approval and cannot be rendered responsible for any equipment declared to be in conformity with one of its standards.
- 6) Attention is drawn to the possibility that some of the elements of this International Standard may be the subject of patent rights. The IEC shall not be held responsible for identifying any or all such patent rights.

International Standard IEC 61683 has been prepared by IEC technical committee 82: Solar photovoltaic energy systems.

The text of this standard is based on the following documents:

FDIS	Report on voting
82/228/FDIS	82/233/rvD

Full information on the voting for the approval of this standard can be found in the report on voting indicated in the above table.

This publication has been drafted in accordance with the ISO/IEC Directives, Part 3.

Annexes A, B, C and D are for information only.

A bilingual version of this standard may be issued at a later date.

The committee has decided that this publication remains valid until 2003. At this date, in accordance with the committee's decision, the publication will be

- reconfirmed;
- withdrawn;
- replaced by a revised edition, or
- amended.

INTRODUCTION

Among the principal characteristics of power conditioners, efficiency is considered as an important factor. A standardized procedure for measuring the efficiency of power conditioners is necessary for their widespread use in photovoltaic systems by increasing the reliability of their claimed efficiency.

Generally speaking, power conditioner efficiency is affected by the following parameters:

- power level;
- input voltage;
- output voltage;
- power factor;
- harmonic content;
- load non-linearity;
- temperature.

These parameters are considered to be included in the test condition of this standard explicitly or implicitly.

The purpose of this standard is to provide the means to evaluate the intrinsic efficiency of power conditioners by a direct measurement of input and output power in the factory. Therefore, indirect items such as maximum power-point tracking accuracy are outside the scope of this document. It is expected that those will be dealt with in future relevant IEC standard(s).

PHOTOVOLTAIC SYSTEMS – POWER CONDITIONERS – PROCEDURE FOR MEASURING EFFICIENCY

1 Scope

This standard describes guidelines for measuring the efficiency of power conditioners used in stand-alone and utility-interactive photovoltaic systems, where the output of the power conditioner is a stable a.c. voltage of constant frequency or a stable d.c. voltage. The efficiency is calculated from a direct measurement of input and output power in the factory. An isolation transformer is included where it is applicable.

2 Normative reference

The following normative documents contain provisions which, through reference in this text, constitute provisions of this International Standard. For dated references, subsequent amendments to, or revisions of, any of these publications do not apply. However, parties to agreements based on this International Standard are encouraged to investigate the possibility of applying the most recent editions of the normative documents indicated below. For undated references, the latest edition of the normative document referred to applies. Members of IEC and ISO maintain registers of currently valid International Standards.

IEC 60146-1-1:1991, *Semiconductor converters – General requirements and line commutated converters – Part 1-1: Specifications of basic requirements*

3 Definitions

For the purposes of this standard, the following definitions apply. All efficiency definitions are applied to electric power conversion alone and do not consider any heat production. The above normative references contain other definitions.

In annex A the definition of power conditioner is given. Power efficiency and conversion factor are explained in annex B.

3.1

rated output efficiency

ratio of output power to input power when the power conditioner is operating at its rated output

3.2

partial output efficiency

ratio of output power to input power when the power conditioner is operating below its rated output

3.3

energy efficiency

ratio of output energy to input energy during an identified period

3.4**efficiency tolerance**

permissible tolerance between the manufacturer's specified efficiency and the measured efficiency

3.5**PV array simulator**

simulator which has I-V characteristics equivalent to a PV array

3.6**no-load loss**

input power of the power conditioner when its load is disconnected or its output power is zero

3.7**standby loss**

for a utility interactive power conditioner, power drawn from the utility grid when the power conditioner is in standby mode. For a stand-alone power conditioner, d.c. input power when the power conditioner is in standby mode

3.8**maximum power point tracking (MPPT)**

control strategy whereby the power conditioner input voltage is always at or near the maximum power point of the PV array

4 Efficiency measurement conditions

Efficiency shall be measured under the matrix of conditions as described in the following clauses and table 1. Specific conditions may be excluded by mutual agreement when those conditions are outside the manufacturer's allowable operating range. The resulting data shall be presented in tabular form and may also be presented graphically.

NOTE For example, stand-alone power conditioners are typically designed to handle short-term overload significantly above the rated power. The test at 120 % of rated capacity is included to give an indication of the performance of the power conditioner under these conditions. Some power conditioners are not designed to provide more than their rated output and might be damaged if operated at 120 % of rated capacity. In such cases, test documentation shall note that the test was excluded due to limitation in the power conditioner.

4.1 DC power source for testing

For power conditioners operating with fixed input voltage, the d.c. power source shall be a storage battery or constant voltage power source to maintain the input voltage.

For power conditioners that employ maximum power point tracking (MPPT) and shunt-type power conditioners, either a photovoltaic array or a photovoltaic array simulator shall be utilized.

4.2 Temperature

All measurements are to be made at an ambient temperature of $25\text{ °C} \pm 2\text{ °C}$. Other ambient temperatures may be allowed by mutual agreement. However, the temperature used must be clearly stated in all documentation.

4.3 Output voltage and frequency

The output voltage and frequency shall be maintained at the manufacturer's stated nominal values.

Table 1 – Efficiency recording sheet

Input voltage: _____ (± V)

Total load, % of rated VA		5	10	25	50	75	100	120
Grid-connected	Resistive load	-	()*	()	()	()	()	()
Stand-alone	Resistive load	()	()	()	()	()	()	()
	Reactive load							
	PF = 0,25 or minimum	-	-	()	()	-	()	-
	PF = 0,50 (> minimum)	-	-	()	()	-	()	-
	PF = 0,75 (> minimum)	-	-	()	()	-	()	-
	Non-linear load							
	N _L = 25 % of rated VA	-	-	()	()	-	()	-
	N _L = 50 % of rated VA	-	-	-	()	-	()	-
	Complex load	-	-	-	()	-	()	-

* The symbol () denotes a condition to be tested

4.4 Input voltage

Measurements performed in each of the following tests shall be repeated at three power conditioner input voltages:

- a) manufacturer's minimum rated input voltage;
- b) the inverter's nominal voltage or the average of its rated input range;
- c) 90 % of the inverter's maximum input voltage.

In the case where a power conditioner is to be connected with a battery at its input terminals, only the nominal or rated input voltage may be applied.

4.5 Ripple and distortion

Record input voltage and current ripple for each measurement. Also record output voltage and current distortion (if a.c.) or ripple (if d.c.). Ensure that these measurements remain within the manufacturer's specified values. Note that ripple and distortion may not be specified at low power levels, but readings shall be recorded.

4.6 Resistive loads/utility grid

At unity power factor, or at the intrinsic power factor of grid-connected inverters without power factor adjustment, measure the efficiency for power levels of 10 %, 25 %, 50 %, 75 %, 100 % and 120 % of the inverter's rating. Stand-alone inverters shall also be measured at a power level of 5 % of rated. The power conditioner test should be conducted with a specified resistive and reactive grid impedance.

4.7 Reactive loads

For stand-alone inverters, measure the efficiency with a load which provides a power factor equal to the manufacturer's specified minimum level (or 0,25, whichever is greater) and at power levels of 25 %, 50 % and 100 % of rated VA. Repeat for power factors of 0,5 and 0,75 (do not go below the manufacturer's specified minimum PF) and power levels of 25 %, 50 % and 100 % of rated VA.

4.8 Resistive plus non-linear loads

For stand-alone inverters, measure the efficiency with a fixed non-linear load (total harmonic distortion (THD) = (80 ± 5) %) equal to (25 ± 5) % of the inverter's rated VA plus sufficient resistive load in parallel to achieve a total load of 25 %, 50 % and 100 % of rated VA. Repeat the measurements with a fixed non-linear load equivalent to (50 ± 5) % of the inverter's rated VA plus sufficient resistive load in parallel to achieve a total load of 50 % and 100 % of rated VA. The type of non-linear load must be clearly stated in all documentation.

4.9 Complex loads

When a non-linear plus a sufficient reactive load condition is specified for stand-alone inverters, measure the efficiency with a fixed non-linear load (THD = (80 ± 5) %) equal to (50 ± 5) % of the inverter's rated VA plus a sufficient reactive load (PF = 0.5) in parallel to achieve a total load of 50 % and 100 % of rated VA. The type of complex load shall be clearly stated in all documentation.

5 Efficiency calculations

5.1 Rated output efficiency

Rated output efficiency shall be calculated from measured data as follows:

$$\eta_R = (P_o / P_i) \times 100 \quad (1)$$

where

η_R is the rated output efficiency (%);

P_o is the rated output power from power conditioner (kW);

P_i is the input power to power conditioner at rated output (kW).

NOTE Any auxiliary input power (kW), such as for the inverter's control system (or gate driver) shall be included in P_i in equation (1).

5.2 Partial output efficiency

Partial output efficiency shall be calculated from measured data as follows:

$$\eta_{pa} = (P_{op} / P_{ip}) \times 100 \quad (2)$$

where

η_{pa} is the partial output efficiency (%);

P_{op} is the partial output power from power conditioner (kW);

P_{ip} is the input power to power conditioner at partial output (kW).

NOTE Any auxiliary input power (kW) such as for the inverter's control system (or gate driver) shall be included into P_i in equation (2).

5.3 Energy efficiency

Energy efficiency shall be calculated from measured data as follows:

$$\eta_E = (W_o / W_i) \times 100 \tag{3}$$

where

η_E is the energy efficiency (%);

W_o is the output energy during a specified operating period (kWh);

W_i is the input energy during a specified operating period (kWh).

NOTE 1: The operating period and the load profile shall be determined by mutual agreement between user and manufacturer.

NOTE 2: Some auxiliary input energy (kWh) such as for the inverter's control system (or gate driver) shall be included in W_i in equation (3).

NOTE 3: See annex C for an explanation of weighted-average energy efficiency η_{wE} which can supplant the energy efficiency.

5.4 Efficiency tolerances

When an efficiency value has been guaranteed, the tolerance of this value shall be within the value at rated conditions indicated in table 2.

Table 2 – Efficiency tolerances

Item	Tolerance	Remarks
Efficiency of power conditioner	$\pm 0,2(1 - \eta)(\%)$	η : guaranteed efficiency
NOTE: The efficiency tolerance is derived in annex D. See 4.3 of IEC 60746-1-1. The tolerance corresponds to -0.2 per unit of the losses with a minimum efficiency tolerance of -0,002 per unit.		

6 Efficiency test circuits

6.1 Test circuits

Figure 1 shows recommended test circuits for power conditioners which have a single-phase a.c. output or d.c. output. It can as well be regarded as a single-phase representation of a test set-up for multiphase power conditioners.

Figures 1a and 1b shall be applied to stand-alone and utility-interactive power conditioners respectively.

The proposed test circuits in figure 1 are not mandatory, but together with the test descriptions, are intended to establish a base for mutual agreement between user and manufacturer.

The type of power source shall be indicated on all tests and shall adhere to the requirements of 4.1.

6.2 Measurement procedure

- a) Efficiency is calculated with equation (1) or (2) using measured P_i , P_o or P_{ip} , P_{op} . DC input power P_i , P_{ip} can be measured by wattmeter W_1 , or determined by multiplying the d.c. voltmeter V_1 and d.c. ammeter A_1 readings. Output power P_o , P_{op} is measured with wattmeter W_2 .
- b) DC input voltage, which is measured by d.c. voltmeter V_1 , shall be varied in the defined range where the output current, which is measured with a.c. ammeter A_2 , is varied from low output to the rated output.
- c) An average indicating instrument shall be used for the d.c. voltmeter and d.c. ammeter. A true r.m.s. type of indicating instrument shall be used for the a.c. voltmeter and a.c. ammeter. The d.c. wattmeter W_1 shall be a d.c. measuring type. The wattmeter W_2 shall be an a.c. or d.c. measuring type according to the output.
- d) Power factor (PF in per cent) can be measured by a power factor meter PF , or calculated from the readings of V_2 , A_2 , W_2 and as follows:

$$PF = (W_2 / (V_2 \times A_2)) \times 100 \quad (4)$$

- e) Each meter may be an analogue type or a digital type. The measurement accuracy shall be better than $\pm 0,5$ % of the full-scale value for each power measured. Digital power instruments for W_1 and W_2 are also recommended.
- f) An MPPT dynamically adjusts the input voltage so as to maximize the output power. In principle, the monitoring equipment shall sample all of the electrical parameters, such as input voltage and current, output power and current, within the update period of the MPPT. If the MPPT and input source (PV array or PV array simulator) interact in such a way that the input voltage varies by less than 5 %, then averaging of readings is acceptable. The averaging period shall be 30 s or longer.

7 Loss measurement

7.1 No-load loss

No-load loss shall be measured as follows.

If the power conditioner is a stand-alone type, the reading of d.c. input voltage, output voltage and frequency is given with meters V_1 , V_2 and F respectively in figure 1a, and shall be adjusted to the rated values.

The no-load loss is thus the indicated value of d.c. input wattmeter, W_1 , when the load is disconnected from the power conditioner.

If the power conditioner is a utility-interactive type the reading of d.c. input voltmeter V_1 , a.c. output voltmeter V_2 and frequency meter F in figure 1b shall be adjusted to meet the specified voltages and frequency.

No-load loss is thus the indicated value of d.c. input wattmeter, W_1 , when a.c. wattmeter, W_2 , indicates a zero value. For the measurement, allow the power conditioner time to transfer to its no-load operating state, if applicable.

7.2 Standby loss

Standby loss shall be measured as follows.

If the power conditioner is a utility-interactive type, standby loss is defined as the consumption of utility power when the power conditioner is not operating but is under standby condition. Standby loss is indicated with a.c. wattmeter, W_2 in figure 1b at the rated a.c. output voltage.

If the power conditioner is a stand-alone type, standby loss is defined as the consumption from the d.c. source when the power conditioner is not operating but is under standby condition. Standby loss is indicated with d.c. wattmeter, W_1 in figure 1a (without a.c. or d.c. output voltage).

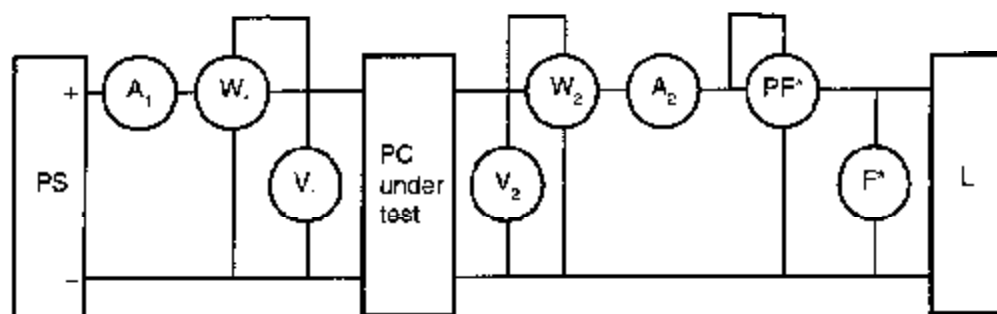


Figure 1a - Stand-alone type

IEC 1556/99

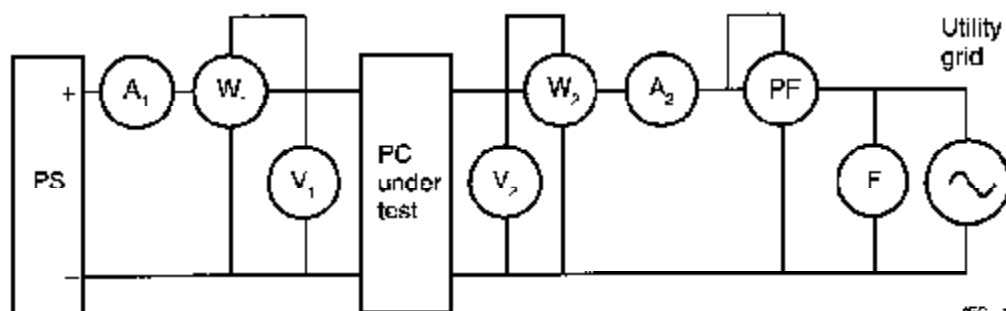


Figure 1b - Utility-interactive type

IEC 1587/99

PC	power conditioner	L	load
PS	variable voltage-current d.c. power supply	F	frequency meter
A_1	DC ammeter	V_1	DC voltmeter
A_2	AC or d.c. ammeter	V_2	AC or d.c. voltmeter
W_1	DC wattmeter	PF	power factor meter
W_2	AC or d.c. wattmeter		

NOTE 1 The d.c. input voltage or current ripple will vary according to the d.c. power supply's internal impedance, and should be defined by mutual agreement between user and manufacturer. For example, the impedance might be selected as the current-voltage ratio $\Delta W/\Delta I$ at the operating point on the PV array I-V curve. When the power conditioner includes the MPPT, a PV array simulator is recommended as the d.c. power source.

NOTE 2 Frequency meter F and power factor meter PF are ignored in the case of d.c. output.

Figure 1 - Power conditioner test circuits

Annex A
(informative)

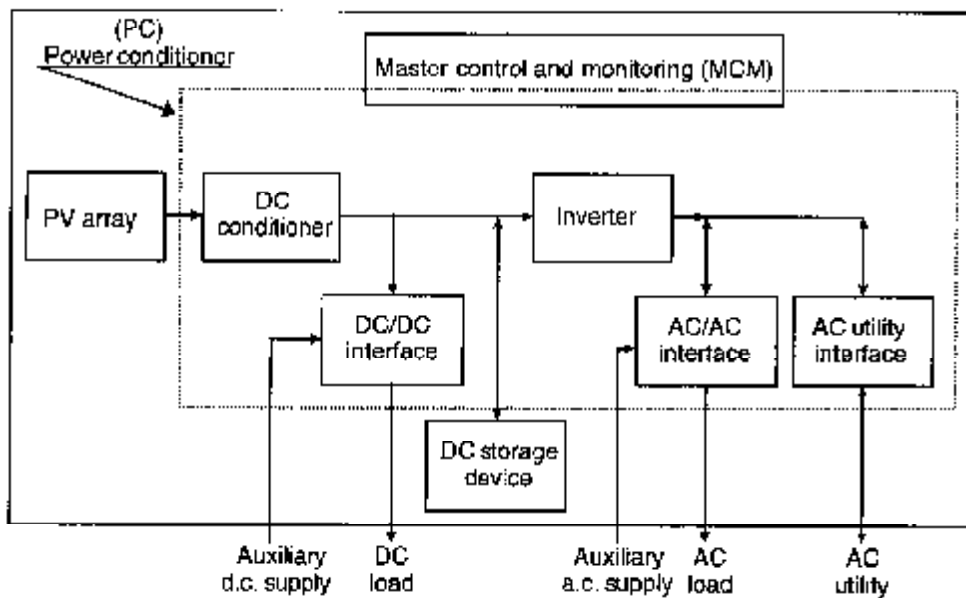
Power conditioner description

A power conditioner is defined in IEC 61277.

Some types of photovoltaic system configurations relate to their purpose and size. Figure A.1 shows the generic system configuration proposed in IEC 61277. In figure A.1, the power conditioner (PC) is inside the dotted line. The power conditioner may consist of one or more of the following: d.c. conditioner, d.c./d.c. interface, inverter, a.c./a.c. interface, a.c. utility interface, and a part of master control and monitoring (MCM) subsystem. The power flows are indicated by the arrows. When a PV system has a d.c. storage subsystem, it is assumed that the storage is connected to the input of the power conditioner in parallel with the array (see figures A.2 and A.3).

Under normal conditions, the power conditioner a.c. output voltage and frequency are constant value when the system is connected to the utility grid (in a utility-interactive type) or to the a.c. loads (in a stand-alone type). However, when a.c. loads consist of pumps or blowers with variable speed induction motors, the a.c. voltage and frequency may be variable.

In this standard, systems with a constant a.c. output voltage and frequency as well as systems with a d.c. output are discussed. Figures A.2 and A.3 show the configuration of the PV system and the power conditioner described in this standard.



IEC 1588/99

Figure A.1 - Major subsystems and power flow diagram for a PV system

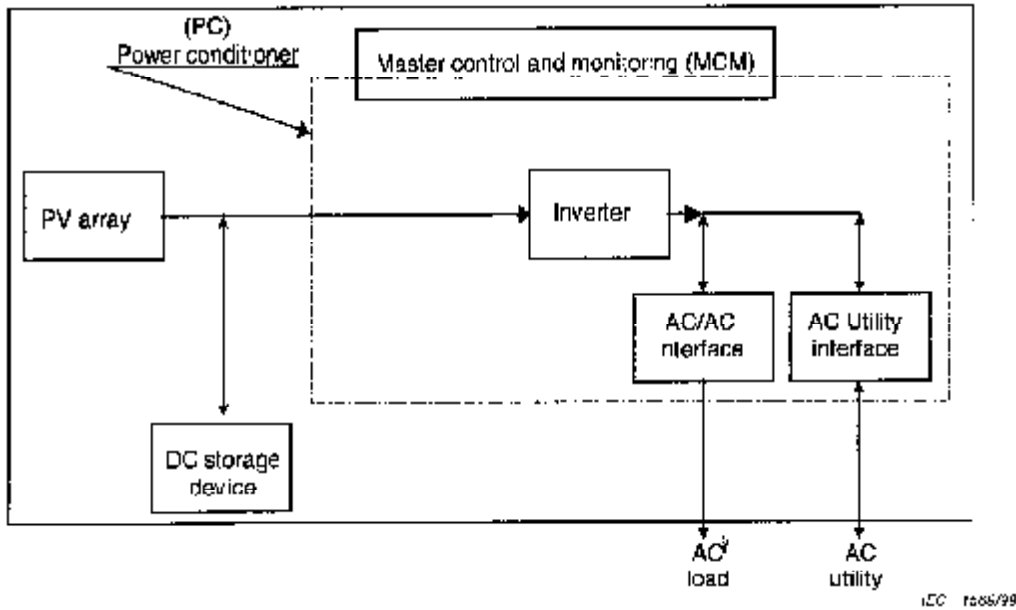


Figure A.2 – Power conditioner configuration with a.c. output assumed for the efficiency measurement

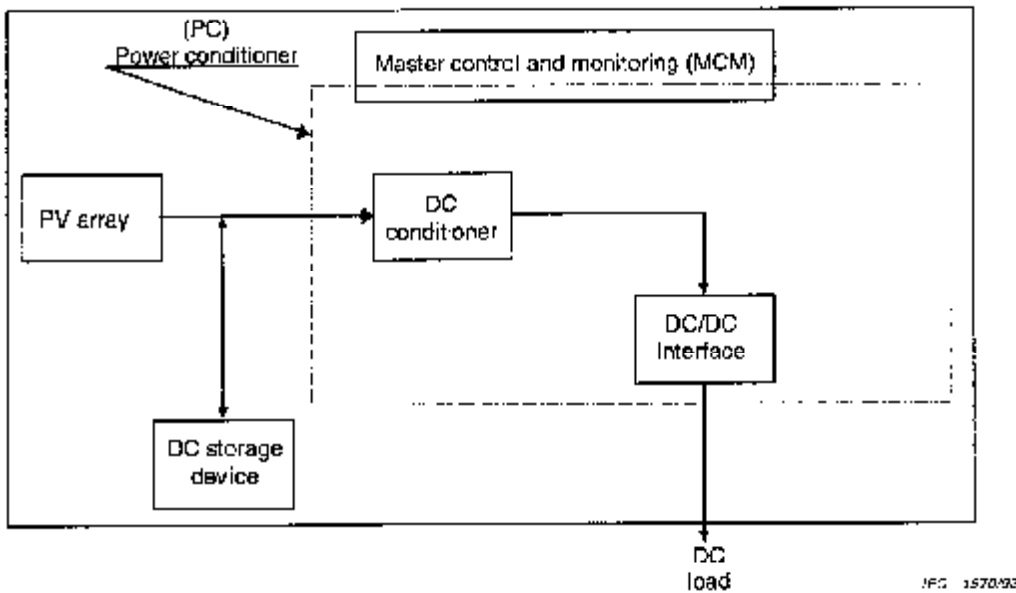


Figure A.3 – Power conditioner configuration with d.c. output assumed for the efficiency measurement

Annex B (informative)

Power efficiency and conversion factor

There are two types of efficiencies shown in IEC 60146-2: one is a power efficiency, the other is a conversion factor. Power efficiency is defined as the ratio of active output power and active input power. Conversion factor is the ratio between output and input fundamental power levels. The formulae for these two parameters:

$$\eta_P = (P_{aAC} / P_{aDC}) \times 100 \quad (\%)$$

$$\eta_C = (P_{fAC} / P_{fDC}) \times 100 \quad (\%)$$

where

η_P is the power efficiency;

P_{aAC} is the a.c. active power;

P_{aDC} is the d.c. active power;

η_C is the conversion factor;

P_{fAC} is the a.c. fundamental power;

P_{fDC} is the d.c. mean power (mean voltage \times mean current).

Active power P_a is calculated as

$$P_a = \frac{1}{T} \int_0^T v(t)i(t)dt \quad \text{or} \quad = \frac{1}{T} \int_0^T p(t)dt$$

where

$v(t)$ is the time-varying voltage;

$p(t)$ is the time-varying power;

$i(t)$ is the time-varying current;

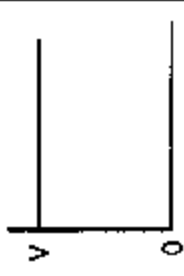
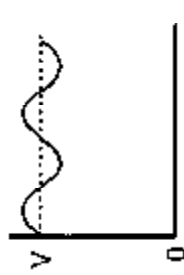

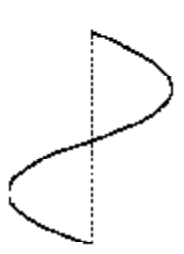
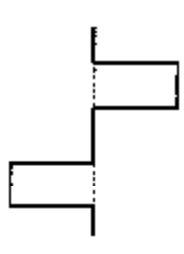
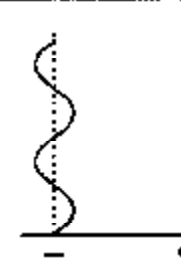
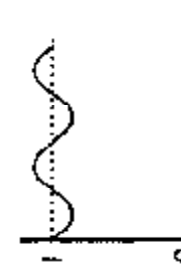

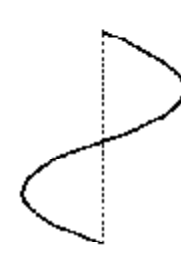

T is the duration of one cycle.

The difference between the above two efficiencies is due to the evaluation of the harmonic components. IEC 60146 unifies them into power efficiency. Their differences depend on their voltage and current waveforms as shown in table B.1 and are only meaningful in case 5. Considering the purpose of IEC standards and the illustration in table B.1, the power efficiency is used as the efficiency of power conditioners.

As shown in table B.1, case 1 or case 4, the difference between η_C and η_P is only 0.1% when the d.c. voltage and current ripple are 10 %pp, or when a.c. 5th r.m.s. voltage content is 2 % and the 5th current content is 5 %. This means that the conversion factor is practically the same as the power efficiency. It shall, however, be noted that in the case of a square wave, as in case 5, the power efficiency shall be used because the difference is large, i.e., $\eta_C/\eta_P = 0,81$.

The integration time (duration of one cycle) T shall be 30 s or more and the resultant mean power efficiency value shall be used as the efficiency of the power conditioner.

Table B.1 – Variation of power efficiency η_p and conversion factor η_c by difference of voltage or current waveforms

Example	DC input (case 1)	DC input (case 2)	AC output (case 3)	AC output (case 4)	AC output (case 5)
Voltage waveform					
Current waveform					
Condition	Voltage has no ripple components	Voltage and current have same ripple (10 %pp) with reversed phase	Voltage: sinusoidal Current: square wave (50 % duty cycle)	Harmonic component: Voltage: 5th, 2 % r.m.s. Current: 5th, 5 % r.m.s. In-phase	Voltage and current are both a 50 % duty cycle square wave
P_{IAC} / P_{AAC}	1,0	1,0	1,0	$(1 + 0,02 \times 0,05) \cdot 0,999$	$(4/\pi^2) \cdot 0,5 - 0,81$
P_{IDC} / P_{IDC}	1,0	$1/(1 - (0,1/2 \sqrt{2})^2) = 1,001$	1,0	1,0	1,0
η_c / η_p	1,0	0,999	1,0	0,999	0,81
Comparison	$\eta_c = \eta_p$	$\eta_c \leq \eta_p$	$\eta_c = \eta_p$	$\eta_c \leq \eta_p$	$\eta_c < \eta_p$
NOTE	$\eta_c = P_{IAC} / P_{AAC}$, $\eta_p = P_{IAC} / P_{IDC}$, $\eta_c / \eta_p = (P_{IAC} / P_{AAC}) / (P_{IAC} / P_{IDC})$.				

Annex C
(informative)

Weighted-average energy efficiency

The energy of a power conditioner depends on both the irradiance profile and the load profile. The energy efficiency of a power conditioner shall be calculated by the ratio of the output to the input energy actually measured over a certain period (such as a month or a year).

For reference, a method of estimating the energy efficiency using a weighted-average energy efficiency is described.

The weighted-average energy efficiency, η_{WT} , is calculated as the sum of the products of each power level efficiency and related weighting coefficient.

When the system is a utility-interactive type without a storage subsystem, the weighting coefficients depend on a regional irradiance duration curve.

When the system is a stand-alone type with a storage subsystem, the weighting coefficients depend on the load duration curve.

Clauses C.1 and C.2 show the calculation procedures for η_{WT} for utility-interactive systems and stand-alone systems.

C.1 η_{WT} of power conditioner for utility-interactive PV systems

Utility-interactive PV systems, which have no storage and for which reverse-power flow is accepted, are described. In this case, d.c. power generated by the PV array is supplied directly into the power conditioner (PC). Almost all of the input power to the PC is converted to a.c. power. A part of it is dissipated as the PC loss.

The weighted-average energy efficiency, η_{WT} , is an index to evaluate annual energy efficiency in which a weighting coefficient, K_i , is used for each input power level. Here, the irradiance is divided into several discrete levels. By using a duration time T_i , d.c. input power level, P_{Di} , output power level, P_{O_i} , and PC efficiency, η_i , for each level i , η_{WT} is defined as follows:

$$\eta_{WT} = \frac{\sum P_{O_i} \cdot T_i}{\sum P_i \cdot T_i} = \frac{P_{O_1} \cdot \eta_1 \cdot T_1 + \dots + P_{O_n} \cdot \eta_n \cdot T_n}{P_{I_1} \cdot T_1 + \dots + P_{I_n} \cdot T_n} \tag{C.1}$$

$$= K_1 \cdot \eta_1 + K_2 \cdot \eta_2 + \dots + K_n \cdot \eta_n$$

where

$$K_i = P_{Di} \cdot T_i / \sum P_{Di} \cdot T_i$$

and

$$\sum K_i = 1 \text{ and } i=1,2,3,\dots$$

If the irradiance duration curve is given as shown in figure C.1, equation (C.1) can be rewritten as follows:

$$\eta_{WT} = \frac{1T_1}{T_{WT}} \eta_{1/4} + \frac{2T_2}{T_{WT}} \eta_{2/4} + \frac{3T_3}{T_{WT}} \eta_{3/4} + \frac{4T_4}{T_{WT}} \eta_{4/4} > \eta_{EH} \quad (C.2)$$

$$T_{WT} = 1T_1 + 2T_2 + 3T_3 + 4T_4$$

where η_{EH} is the specified energy efficiency;

$\eta_{1/4}, \dots$ is the power conditioner efficiency when its d.c. input power is 1/4, ... of the rated value respectively.

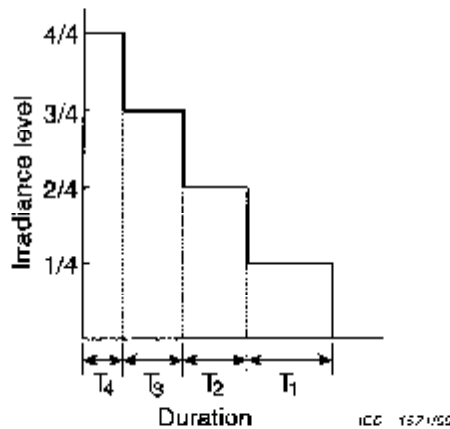


Figure C.1 – An example of an Irradiance duration curve

C.2 η_{WT} of power conditioner for stand-alone PV systems

In stand-alone PV systems with a storage subsystem, power generated from the PV array is stored and stabilized by the batteries. DC power is converted into regulated d.c. power or constant-voltage and constant-frequency a.c. power by a power conditioner (PC) and supplied to the load. In this case, some fraction of the generated power is dissipated as a loss in the batteries and power conditioner.

The calculation of the weighted-average energy efficiency, η_{WT} , for stand-alone PV systems requires weighting coefficients for respective load levels.

By using a load duration time T_i , d.c. input power P_{i1} , a.c. output power P_{i0} and PC efficiency for respective load level η_i , η_{WT} is defined as follows:

$$\begin{aligned} \eta_{WT} &= \frac{\sum P_{i0} \cdot T_i}{\sum P_{i1} \cdot T_i} = \frac{\sum P_{i01} \cdot T_1 + \dots + P_{i0n} \cdot T_n}{P_{i0} \cdot T_0 + P_{i01} \cdot T_1 \eta_1 + P_{i0n} \cdot T_n \eta_n} \\ &= \frac{1}{K_0 \cdot K_1 \eta_1 \cdot \dots \cdot K_n \eta_n} \end{aligned} \quad (C.3)$$

$$K_0 = P_0 \cdot T_0 / \sum (P_{0i} \cdot T_i) \tag{C.4}$$

$$K_i = P_{0i} \cdot T_i / \sum (P_{0i} \cdot T_i), \sum K_i = 1$$

where

P_0 is the no-load loss.

If the load profile and its duration curve are given as shown in figures C.2 and C.3, equation (C.3) can be rewritten as follows:

$$\eta_{WT} = \frac{1}{K_0 + 1T_1/T_{WT} / \eta_{1/4} + 2T_2/T_{WT} / \eta_{2/4} + 3T_3/T_{WT} / \eta_{3/4} + 4T_4/T_{WT} / \eta_{4/4}} \geq \eta_{ER} \tag{C.5}$$

where

η_{ER} is the specified energy efficiency;

$\eta_{1/4}, \dots$ is the power conditioner efficiency when the load is 1/4, ... of the rated value respectively.

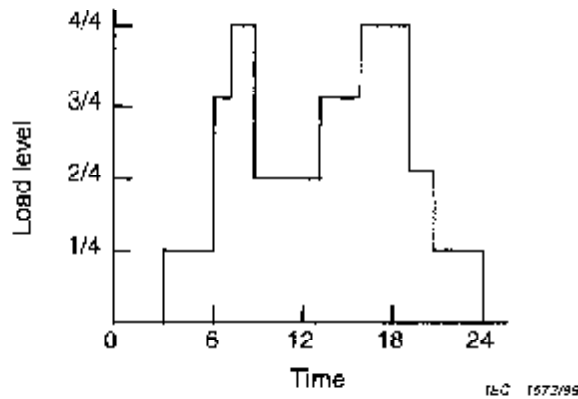


Figure C.2 – An example of a load profile

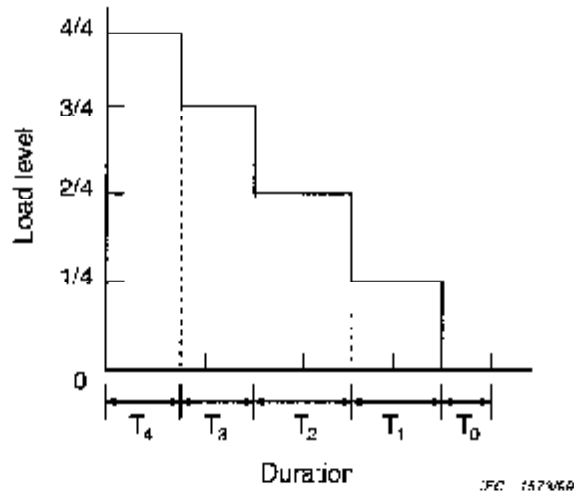


Figure C.3 – An example of a load duration curve

Annex D
(informative)

Derivation of efficiency tolerance in table 2

The guaranteed efficiency, η , is

$$\eta = \frac{P_R}{P_R + P_L}$$

where

P_R is the rated output power;

P_L is the guaranteed loss.

From IEC 60146-1-1, 4.3.3, loss, P_L , the allowance shall be -0,2 per unit. In this case, the efficiency, η' , is given by:

$$\eta' = \frac{P_R}{P_R + 1,2P_L}$$

Therefore, the tolerance $\eta' - \eta$ is derived as:

$$\begin{aligned} \eta' - \eta &= \frac{P_R}{P_R + 1,2P_L} - \eta = \frac{P_R}{P_R + 1,2(1/\eta - 1)P_R} - \eta = \frac{1}{1 - 1,2(1/\eta - 1)} - \eta \\ &= \frac{\eta}{\eta + 1,2(1 - \eta)} - \eta = \eta \left[\frac{1}{\eta + 1,2(1 - \eta)} - 1 \right] = \eta \left[\frac{1}{-0,2\eta + 1,2} - 1 \right] \\ &= \eta \frac{-0,2 - 0,2\eta}{-0,2\eta - 1,2} = \eta \frac{-1 + \eta}{-\eta - 6} \\ &\geq -\eta(1 - \eta)/5 \quad (0 \leq \eta \leq 1). \end{aligned}$$

Finally, the tolerance is given by the following equation:

$$\eta' - \eta = -0,2(1 - \eta)\eta \quad (\%)$$

This means that tolerance decreases as guaranteed efficiency increases. For instance, for the guaranteed efficiencies of 90 % and 95 %, the tolerances are -1,8 % and -0,95 % respectively.

Bibliography

IEC 60148 (all parts), *Semiconductor convertors*

IEC 60146-2:1974, *Semiconductor convertors – Part 2: Semiconductor self-commutated convertors*

IEC 61277:1995, *Terrestrial photovoltaic (PV) power generating systems – General and guide*



Standards Survey

The IEC would like to offer you the best quality standards possible. To make sure that we continue to meet your needs, your feedback is essential. Would you please take a minute to answer the questions overleaf and fax them to us at +41 22 919 03 00 or mail them to the address below. Thank you!

Customer Service Centre (CSC)

International Electrotechnical Commission

3, rue de Varembé
1211 Genève 20
Switzerland

or

Fax to: IEC/CSC at +41 22 919 03 00

I thank you for your contribution to the standards-making process.

A Prioritaire

Nicht frankieren
Ne pas affranchir



Non affrancare
No stamp required

RÉPONSE PAYÉE

SUISSE

Customer Service Centre (CSC)

International Electrotechnical Commission

3, rue de Varembé
1211 GENEVA 20
Switzerland

Q1 Please report on **ONE STANDARD** and **ONE STANDARD ONLY**. Enter the exact number of the standard: (e.g. 60601-1-1)

.....

Q2 Please tell us in what capacity(ies) you bought the standard (tick all that apply). I am the/a:

- purchasing agent
- librarian
- researcher
- design engineer
- safety engineer
- teaching engineer
- marketing specialist
- other.....

Q3 I work for/in/as a: (tick all that apply)

- manufacturing
- consultant
- government
- test/certification facility
- public utility
- education
- military
- other.....

Q4 This standard will be used for: (tick all that apply)

- general reference
- product research
- product design/development
- specifications
- tenders
- quality assessment
- certification
- technical documentation
- thesis
- manufacturing
- other.....

Q5 This standard meets my needs: (tick one)

- not at all
- nearly
- fairly well
- exactly

Q6 If you ticked NOT AT ALL in Question 5 the reason is: (tick all that apply)

- standard is out of date
- standard is incomplete
- standard is too academic
- standard is too superficial
- title is misleading
- I made the wrong choice
- other

Q7 Please assess the standard in the following categories, using the numbers:
 (1) unacceptable,
 (2) below average,
 (3) average,
 (4) above average,
 (5) exceptional,
 (6) not applicable

- timeliness.....
- quality of writing.....
- technical contents.....
- logic of arrangement of contents
- tables, charts, graphs, figures.....
- other

Q8 I read/Use the: (tick one)

- French text only
- English text only
- both English and French texts

Q9 Please share any comment on any aspect of the IEC that you would like us to know:

.....

ISBN 2-8318-5011-2



9 782831 850115

ICS 27.160

Typeset and printed by the IEC Central Office
GENEVA, SWITZERLAND