

INTERNATIONAL STANDARD

IEC
62389

First edition
2005-10

Methods of measurement for DVD players



Reference number
IEC 62389:2005(E)

Publication numbering

As from 1 January 1997 all IEC publications are issued with a designation in the 60000 series. For example, IEC 34-1 is now referred to as IEC 60034-1.

Consolidated editions

The IEC is now publishing consolidated versions of its publications. For example, edition numbers 1.0, 1.1 and 1.2 refer, respectively, to the base publication, the base publication incorporating amendment 1 and the base publication incorporating amendments 1 and 2.

Further information on IEC publications

The technical content of IEC publications is kept under constant review by the IEC, thus ensuring that the content reflects current technology. Information relating to this publication, including its validity, is available in the IEC Catalogue of publications (see below) in addition to new editions, amendments and corrigenda. Information on the subjects under consideration and work in progress undertaken by the technical committee which has prepared this publication, as well as the list of publications issued, is also available from the following:

- **IEC Web Site** (www.iec.ch)

- **Catalogue of IEC publications**

The on-line catalogue on the IEC web site (www.iec.ch/searchpub) enables you to search by a variety of criteria including text searches, technical committees and date of publication. On-line information is also available on recently issued publications, withdrawn and replaced publications, as well as corrigenda.

- **IEC Just Published**

This summary of recently issued publications (www.iec.ch/online_news/justpub) is also available by email. Please contact the Customer Service Centre (see below) for further information.

- **Customer Service Centre**

If you have any questions regarding this publication or need further assistance, please contact the Customer Service Centre:

Email: custserv@iec.ch
Tel: +41 22 919 02 11
Fax: +41 22 919 03 00

INTERNATIONAL STANDARD

IEC 62389

First edition
2005-10

Methods of measurement for DVD players

© IEC 2005 — Copyright - all rights reserved

No part of this publication may be reproduced or utilized in any form or by any means, electronic or mechanical, including photocopying and microfilm, without permission in writing from the publisher.

International Electrotechnical Commission, 3, rue de Varembé, PO Box 131, CH-1211 Geneva 20, Switzerland
Telephone: +41 22 919 02 11 Telefax: +41 22 919 03 00 E-mail: inmail@iec.ch Web: www.iec.ch



Commission Electrotechnique Internationale
International Electrotechnical Commission
Международная Электротехническая Комиссия

PRICE CODE

M

For price, see current catalogue

INTERNATIONAL ELECTROTECHNICAL COMMISSION

METHODS OF MEASUREMENT FOR DVD PLAYERS

FOREWORD

- 1) The International Electrotechnical Commission (IEC) is a worldwide organization for standardization comprising all national electrotechnical committees (IEC National Committees). The object of IEC is to promote international co-operation on all questions concerning standardization in the electrical and electronic fields. To this end and in addition to other activities, IEC publishes International Standards, Technical Specifications, Technical Reports, Publicly Available Specifications (PAS) and Guides (hereafter referred to as "IEC Publication(s)"). Their preparation is entrusted to technical committees; any IEC National Committee interested in the subject dealt with may participate in this preparatory work. International, governmental and non-governmental organizations liaising with the IEC also participate in this preparation. IEC collaborates closely with the International Organization for Standardization (ISO) in accordance with conditions determined by agreement between the two organizations.
- 2) The formal decisions or agreements of IEC on technical matters express, as nearly as possible, an international consensus of opinion on the relevant subjects since each technical committee has representation from all interested IEC National Committees.
- 3) IEC Publications have the form of recommendations for international use and are accepted by IEC National Committees in that sense. While all reasonable efforts are made to ensure that the technical content of IEC Publications is accurate, IEC cannot be held responsible for the way in which they are used or for any misinterpretation by any end user.
- 4) In order to promote international uniformity, IEC National Committees undertake to apply IEC Publications transparently to the maximum extent possible in their national and regional publications. Any divergence between any IEC Publication and the corresponding national or regional publication shall be clearly indicated in the latter.
- 5) IEC provides no marking procedure to indicate its approval and cannot be rendered responsible for any equipment declared to be in conformity with an IEC Publication.
- 6) All users should ensure that they have the latest edition of this publication.
- 7) No liability shall attach to IEC or its directors, employees, servants or agents including individual experts and members of its technical committees and IEC National Committees for any personal injury, property damage or other damage of any nature whatsoever, whether direct or indirect, or for costs (including legal fees) and expenses arising out of the publication, use of, or reliance upon, this IEC Publication or any other IEC Publications.
- 8) Attention is drawn to the Normative references cited in this publication. Use of the referenced publications is indispensable for the correct application of this publication.
- 9) Attention is drawn to the possibility that some of the elements of this IEC Publication may be the subject of patent rights. IEC shall not be held responsible for identifying any or all such patent rights.

International Standard IEC 62389 has been prepared by TA7: Moderate data rate storage media, equipment and systems, of IEC technical committee 100: Audio, video and multimedia systems and equipment.

The text of this standard is based on the following documents:

CDV	Report on voting
100/903/CDV	100/983/RVC

Full information on the voting for the approval of this standard can be found in the report on voting indicated in the above table.

This publication has been drafted in accordance with the ISO/IEC Directives, Part 2.

The committee has decided that the contents of this publication will remain unchanged until the maintenance result date indicated on the IEC web site under "<http://webstore.iec.ch>" in the data related to the specific publication. At this date, the publication will be

- reconfirmed;
- withdrawn;
- replaced by a revised edition, or
- amended.

A bilingual version of this publication may be issued at a later date.

METHODS OF MEASUREMENT FOR DVD PLAYERS

1 Scope

This International Standard specifies measurement methods of electrical characteristics for consumer-use DVD players. This standard is applicable for use in the description of performances for catalogues and brochures of the products.

2 Normative references

The following referenced documents are indispensable for the application of this document. For dated references, only the edition cited applies. For undated references, the latest edition of the referenced document (including any amendments) applies.

IEC 61672-1, *Electroacoustics – Sound level meters – Part 1: Specifications*

IEC 61672-2, *Electroacoustics – Sound level meters – Part 2: Pattern evaluation tests*

IEC 61606-1, *Audio and audiovisual equipment – Digital audio parts – Basic measurement methods of audio characteristics – Part 1: General*

IEC 61606-2, *Audio and audiovisual equipment – Digital audio parts – Basic measurement methods of audio characteristics – Part 2: Consumer use*

ITU-R BT.471-1, *Nomenclature and description of colour bar signals*

SMPTE EG 1,1990, *Alignment colour bar test signal for television picture monitors*

3 Terms and definitions

For the purposes of this document, the terms and definitions given in IEC 61606-1 and IEC 61606-2, as well as the following, apply.

3.1

video signal

composite video signal including synchronization signal

3.2

S video signal

video signal separately transferred by Y signal and C signal

NOTE The Y signal is composed of the luminance signal and the synchronization signal from the composite video signal and does not include the chrominance signal. The C signal is the modulated chrominance signal.

3.3

component signal

set of three kinds of signals, Y signal and two chrominance signals

3.4

V or H synchronized sweep signal

video test signals that frequency is swept within a certain frequency range by vertical or horizontal synchronization timing.

3.5**525i**

expression of the video signal format which has 525 scanning lines in a frame and is interlaced

3.6**video signal level**

voltage value of the video signal measured from sync tip to white peak

3.7**EUT**

equipment under test

3.8**horizontal resolution**

visible limit of horizontal resolution calculated by the horizontal frequency characteristics of the luminance signal and expressed by the number of TV lines

3.9**video signal-to-noise ratio**

ratio of noise r.m.s. value to reference level of 100 %, 0,714 V r.m.s. in NTSC, 0,7 V r.m.s. in PAL, at the flat area of the luminance signal

3.10**video signal output level**

peak-to-peak value of the reference video output signal at reference load impedance

3.11**audio output signal level**

output voltage of playback reference signal

4 Measuring conditions**4.1 Conditions for both audio and video****4.1.1 Power supplies****4.1.1.1 Voltage**

The a.c. power voltage supplied shall be the fixed value of the region where the device under test (DUT) is used and the supplied d.c. power voltage shall be the fixed value specified by the manufacturer. The tolerance shall be within ± 1 % in both cases; the power-supply voltage can be within ± 5 % if this tolerance does not affect the results of measurement.

4.1.1.2 Frequency

The frequency of the a.c. power supply shall be 50 Hz or 60 Hz and the fluctuation shall be within ± 2 %.

4.1.1.3 Waveform distortion**4.1.1.3.1 AC power supply**

The waveform of the a.c. power supply shall be a sine wave of which the harmonic content is 2 % or less.

4.1.1.3.2 DC power supply

The ripple voltage shall be 0,1 % or less.

4.1.2 Environmental conditions

4.1.2.1 Environmental air condition

The environmental conditions for measurements shall be as follows.

Ambient temperature: from 15 °C to 35 °C

Relative humidity: 60 % ± 15 %

Air pressure: 96 kPa ± 10 kPa

4.1.2.2 Warm-up

The DUT shall have the power on 5 min before starting the test. This is negligible if the warm-up does not affect the results of the measurement.

4.2 Standard video settings

Video settings, such as picture sharpness control, shall be set at the position specified by the manufacturer, normally the centre position if there is no special indication, and the functions which affect the results of measurement, for example, the video enhancer, shall be switched off.

4.3 Standard audio settings

The test configuration for the audio measurement shall refer to the general configuration for the equipment under test (EUT) specified by IEC 61606-1.

5 Measuring instruments

5.1 Test disc

The test disc specified in Annex A shall be used for measurements.

5.2 Video part

The measuring instruments specified by Table 1 shall be used. The test disc specified in Annex A shall be used for measurements.

Table 1 – Measuring instruments

No.	Measuring instrument	Specification
1	Oscilloscope	Frequency bandwidth: d.c. to over 60 MHz Vertical sensitivity: below 10 mV/div Vertical scale accuracy: within ±5 % Input impedance: over 1 MΩ
2	Video noise meter	Frequency bandwidth: 100 kHz to over 6 MHz Frequency band width settings HPF: 100 kHz LPF: 6 MHz SC (subcarrier) trap: ON/OFF Weight: ON/OFF Indication: 0 dB = 0,714 V r.m.s. (NTSC) / 0,700 V r.m.s. (PAL) with RMS voltmeter
3	Display monitor	The internal 75 Ω terminator shall be OFF
4	Terminator	75 Ω ± 1 %

5.3 Audio part

5.3.1 Weighing filter

The weighing filter used shall have A-weighting characteristics with tolerances class 1 as specified for sound level measurements in IEC 61672-1.

5.3.2 Other instruments

Other instruments, such as analogue in-band level meter or low-pass filter or analogue distortion meter, are defined in IEC 61601-1.

6 Methods of measurement

6.1 Video part

6.1.1 Horizontal resolution

6.1.1.1 Block diagram

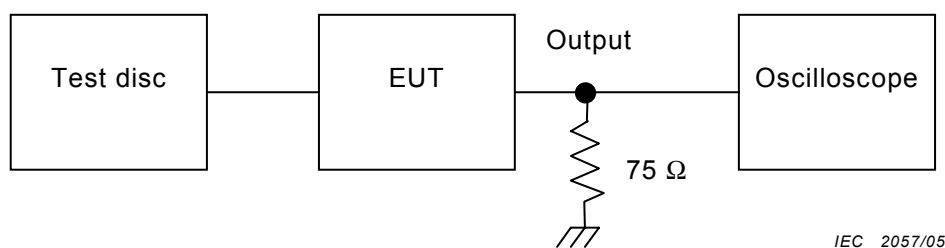


Figure 1 – Block diagram for horizontal resolution measurement

6.1.1.2 Test signal

The V or H synchronized sweep signal, amplitude of 100 % and frequency range of 100 kHz to 6,75 MHz with frequency markers.

6.1.1.3 Measurement

- a) Set the EUT to the standard settings for the video part described in 4.2.
- b) Play back the V or H sweep signal of the test disc and read the frequency at which the signal level becomes 1/10 (-20 dB) of the level of 1 MHz by oscilloscope with one decimal unit of MHz. Calculate the horizontal resolution, R_h , by the following formula.

$$R_h = (3/4) \times 2 \times (1 - \alpha) \times (f_0 \times 10^6 / f_H) \approx 80 \times f_0 \text{ (TV lines)}$$

where

f_H is the horizontal line frequency (in Hz);

α is the blanking duration rate of the horizontal line (0,17);

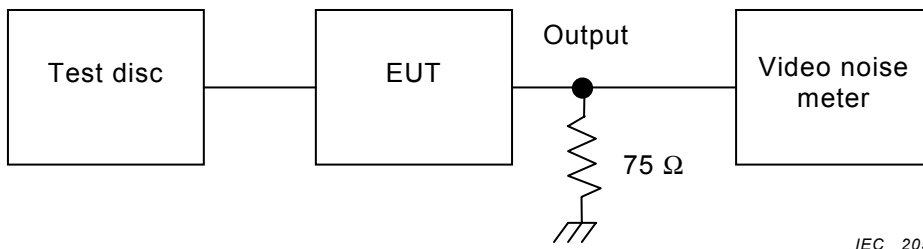
f_0 is the frequency which signal level is becoming to 1/10 (-20 dB) of the level of 1 MHz (in MHz).

NOTE 1 In the case where the level of 6,75 MHz, the end-point of the sweep signal, is greater than 1/10 (-20 dB) of the level of 1 MHz, the horizontal resolution is reported to 540 TV lines.

NOTE 2 In the case where the envelope of the sweep signal appears double, the lower level should be read as the measuring value. In the case where the envelope has a ripple, the dip-point level is read as the measuring value.

6.1.2 Video signal-to-noise ratio

6.1.2.1 Block diagram



IEC 2058/05

Figure 2 – Block diagram for video signal-to-noise ratio

6.1.2.2 Test signal

50 % white signal.

6.1.2.3 Measurement

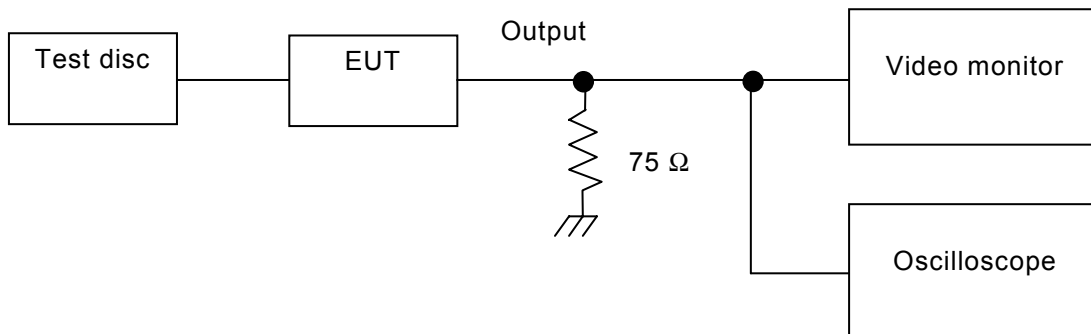
- a) Set the EUT to the standard settings for the video part described in 4.2.
- b) Play back the 50 % white signal of the test disc.
- c) Set the video noise meter as follows.
- d) Adjust the input level of the video noise meter to 0,357 V in NTSC, 0,35 V in PAL.
- e) Read the value of the noise meter.

Table 2 – Settings of the video noise meter

Setting items	Video output	S video terminal, component, D-connector
HPF	100 kHz	100 kHz
LPF	6 MHz	6 MHz
SC Trap	On	Off
Weight	Off	Off

6.1.3 Video signal output level

6.1.3.1 Block diagram



NOTE 1 The terminator of the video monitor is off.

NOTE 2 The video monitor can be omitted if there is no doubt.

IEC 2059/05

Figure 3 – Block diagram for video signal output level measurement

6.1.3.2 Test signal

NTSC SMPTE colour bar signal or 100 % full colour bar signal (ITU-R BT.471(100/0/100/0) colour bar).

6.1.3.3 Measurement

- a) Set the EUT to the standard settings for the video part described in 4.2.
- b) Play back the colour bar signal of the test disc and measure the peak-to-peak value of the video output signal by oscilloscope.

NOTE 1 In the case of the C signal of the S video output, the burst signal level is measured.

NOTE 2 The value between the centre of bright points of the waveform is measured.

NOTE 3 In the case where the signal waveform has ripples, the flattest portion is measured. In the case where the synchronization pulse signal is slanted, the lower level is used as the sync level.

6.2 Audio part

6.2.1 General

The following characteristics are defined. The methods of basic measurement are specified by IEC 61606; others are specified by this standard.

6.2.2 Audio-frequency characteristics

6.2.2.1 Methods of measurement

Apply IEC 61606-2, 5.2.1.

6.2.2.2 Test signal

Apply IEC 61606-1, Table 1, for the frequencies 48 kHz, 96 kHz and 192 kHz.

6.2.3 Audio distortion and noise

Apply IEC 61606-2, 5.4.2.

6.2.4 Audio dynamic range

Apply IEC 61606-2, 5.3.2.

6.2.5 Audio signal-to-noise ratio

Apply IEC 61606-2, 5.3.1.

6.2.6 Audio output signal level

6.2.6.1 Block diagram



IEC 2060/05

Figure 4 – Block diagram for audio output level measurement

6.2.6.2 Test signal

The frequency is 1 kHz; the signal level is full-scale.

6.2.6.3 Measurement

- a) Set the EUT to the standard settings for the audio part described in 4.3.
- b) Play back the reference full-scale signal of the test disc.
- c) Set the analogue in-band level meter.
- d) Read the value of the analogue in-band level meter.

Annex A (normative)

Test disc specification

A.1 Introduction

This annex gives the specification of the test disc used for DVD player measurement.

A.2 Measuring items and test signal criteria

A.2.1 Horizontal resolution

V or H synchronized sweep signal, amplitude of 100 % and frequency range of 100 kHz to 6,75 MHz with frequency markers. Highest frequency 6,75 MHz is the theoretical limit frequency of sampling frequency 13,5 MHz.

A.2.2 Video signal-to-noise ratio

50 % white signal.

A.2.3 Video output signal level

NTSC SMPTE colour bar signal or 100 % full colour bar signal (ITU-R BT.471(100/0/100/0) colour bar)

A.2.4 Audio test signal

Test signals should satisfy the definitions specified by IEC 61606-1, 3.1.

A.2.5 Audio-frequency characteristics

Frequency points should be about 10 points including lowest and highest frequencies of in-band frequencies of sampling frequencies 48 kHz, 96 kHz and 192 kHz.

In-band frequencies of DVD-video are 4 Hz to 22 kHz of sampling frequency 48 kHz and 4 Hz to 44 kHz of sampling frequency 96 kHz. In-band frequencies of DVD-audio should be 4 Hz to 22 kHz of sampling frequency 48 kHz, 4 Hz to 44 kHz of sampling frequency 96 kHz, and 4 Hz to 88 kHz of sampling frequency 192 kHz. The lowest frequency may be less than 4 Hz, for example, 2 Hz.

A.2.6 Audio total distortion

The test signal should be frequency 997 Hz (1 kHz) full-scale signal and other frequency test signals can be applied.

A.2.7 Audio dynamic range

The test signal should be frequency 997 Hz (1 kHz), signal level –60 dB_{Fs}.

A.2.8 Audio signal-to-noise ratio

The test signal should be frequency 997 Hz (1 kHz) full-scale signal and digital zero signal.

A.2.9 Audio output signal level

The test signal should be frequency 997 Hz (1 kHz) full-scale signal, and other frequency test signals can be applied.

A.3 Audio frequency corresponding to sampling frequency

IEC 61606-1, Figure 1, defines the actual audio frequencies for sampling frequencies 48 kHz, 96 kHz and 192 kHz.

A.4 Indication

The test disc applied in this standard should indicate the following.

- a) Type
- b) Applied specification IEC 62389
- c) Title No., chapter No. and contents of test signal for DVD-video disc
- d) Group No., track No. and contents of test disc for DVD-audio disc
- e) Time (test signal time should be indicated)
- f) Manufacturer name or code.
- g) Other required items
 - 1) Frequency (actual)
 - 2) Level (actual)

Bibliography

IEC 61041-5, *Non-broadcast video tape recorders – Methods of measurement – Part 5: High-band video tape recorders, including those equipped with Y/C video connectors (NTSC/PAL)*

EIAJ CP-4120, *Interface between digital tuner and television receiver using D-connector*

Copyright International Electrotechnical Commission



Standards Survey

The IEC would like to offer you the best quality standards possible. To make sure that we continue to meet your needs, your feedback is essential. Would you please take a minute to answer the questions overleaf and fax them to us at +41 22 919 03 00 or mail them to the address below. Thank you!

Customer Service Centre (CSC)

International Electrotechnical Commission

3, rue de Varembé
1211 Genève 20
Switzerland

or

Fax to: **IEC/CSC** at +41 22 919 03 00

Thank you for your contribution to the standards-making process.

A Prioritaire

Nicht frankieren
Ne pas affranchir



Non affrancare
No stamp required

RÉPONSE PAYÉE

SUISSE

Customer Service Centre (CSC)
International Electrotechnical Commission
3, rue de Varembé
1211 GENEVA 20
Switzerland



Q1 Please report on **ONE STANDARD** and **ONE STANDARD ONLY**. Enter the exact number of the standard: (e.g. 60601-1-1)

.....

Q2 Please tell us in what capacity(ies) you bought the standard (tick all that apply). I am the/a:

- purchasing agent
- librarian
- researcher
- design engineer
- safety engineer
- testing engineer
- marketing specialist
- other.....

Q3 I work for/in/as a: (tick all that apply)

- manufacturing
- consultant
- government
- test/certification facility
- public utility
- education
- military
- other.....

Q4 This standard will be used for: (tick all that apply)

- general reference
- product research
- product design/development
- specifications
- tenders
- quality assessment
- certification
- technical documentation
- thesis
- manufacturing
- other.....

Q5 This standard meets my needs: (tick one)

- not at all
- nearly
- fairly well
- exactly

Q6 If you ticked NOT AT ALL in Question 5 the reason is: (tick all that apply)

- standard is out of date
- standard is incomplete
- standard is too academic
- standard is too superficial
- title is misleading
- I made the wrong choice
- other

Q7 Please assess the standard in the following categories, using the numbers:

- (1) unacceptable,
- (2) below average,
- (3) average,
- (4) above average,
- (5) exceptional,
- (6) not applicable

- timeliness.....
- quality of writing.....
- technical contents.....
- logic of arrangement of contents
- tables, charts, graphs, figures.....
- other

Q8 I read/use the: (tick one)

- French text only
- English text only
- both English and French texts

Q9 Please share any comment on any aspect of the IEC that you would like us to know:

.....



.....

ISBN 2-8318-8256-7



9 782831 882567

ICS 33.160.40

Typeset and printed by the IEC Central Office
GENEVA, SWITZERLAND